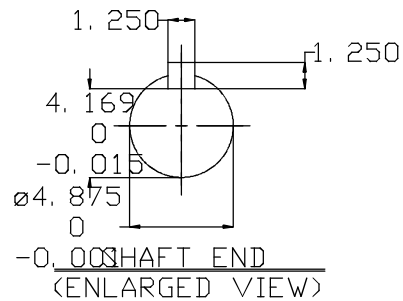
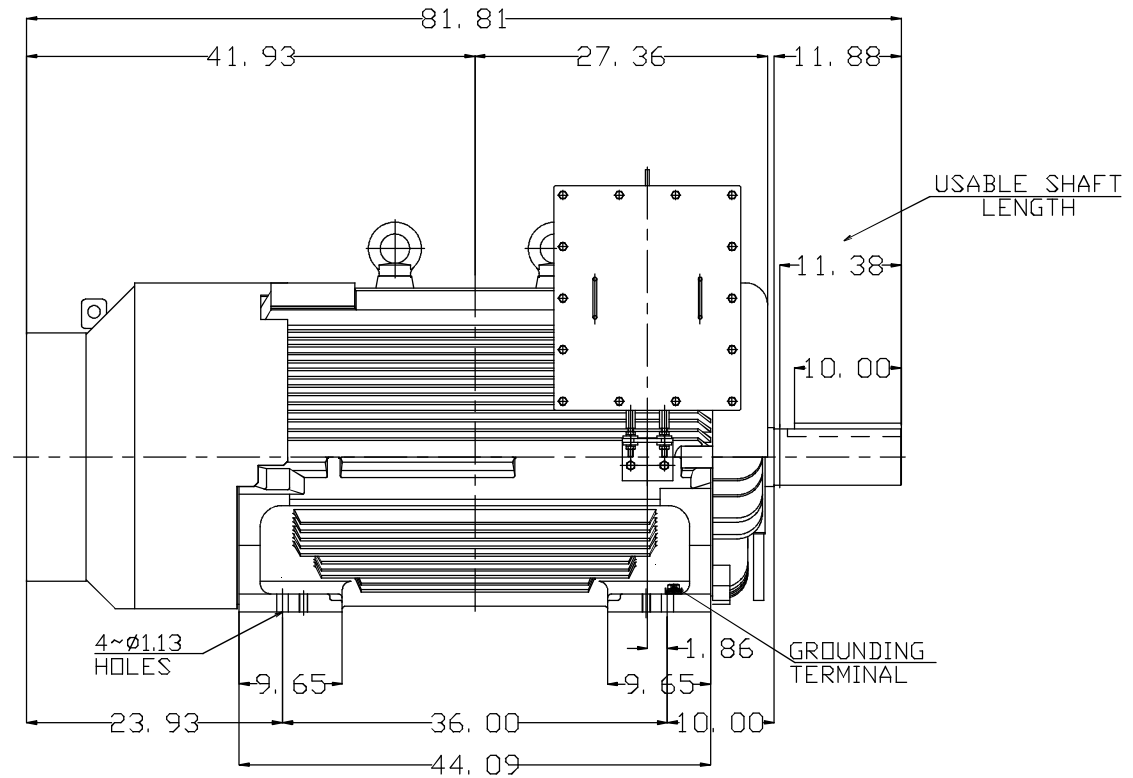
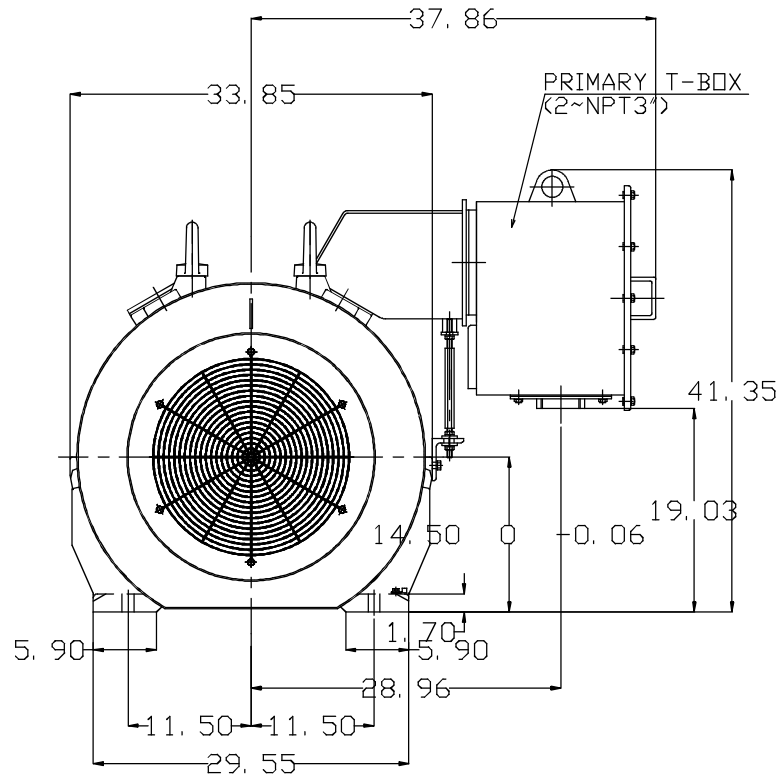


Downloaded from Dealers-Industrial Equipment Visit <https://DealersElectric.com> or call (908) 688-1966 for all of your Teeco needs.

TYPE	OUTPUT		POLE	TIME RATING	VOLTAGE V	Hz	SYN.SPEED R.P.M
	HP.	kW.					
AEHE	500	373	8	CONT.	460	60	900

TOTALLY ENCLOSED FAN-COOLED TYPE, SQUIRREL-CAGE ROTOR



- NOTE:
1. DIMENSIONS IN inch
  2. FRAME NO. 5810C
  3. F CLASS INSULATION, S.F.1.15
  4. FOR BELT DRIVE APPLICATIONS
  5. ENCLOSURE: IP55
  6. BEARING SIZE: DRIVE-END NU326C3  
OPP. DRIVE-END 6322
  7. MOTOR APPROX. WEIGHT: 6000 lb

DATE	OUTLINE DIMENSIONS	
CATALOG # E5008R	3-PHASE INDUCTION MOTOR	
DWN. Y.DU MAR-24-2014	DWG NO. REV:00	
CHKD. W.CHENG MAR-29-2014	4B040C044	
APPD. C.SHIH MAR-29-2014	TECO Westinghouse	