

DATE
APRIL 16, 2004
CATALOG NO.
EO/785

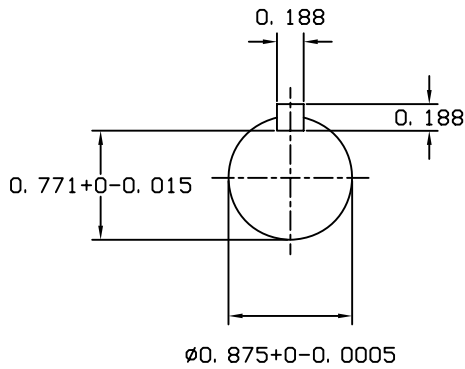
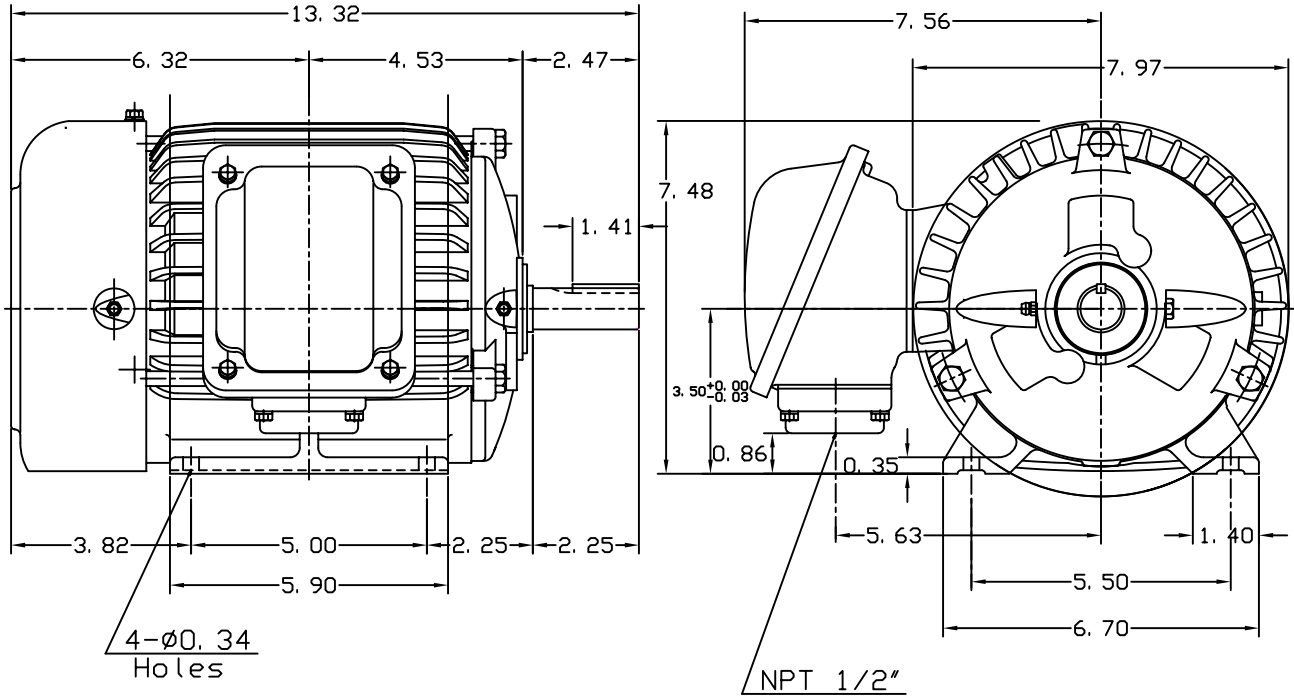
OUTLINE DIMENSIONS
3-PHASE INDDUCTION MOTOR

MOTOR TYPE:
AEHE
FRAME NO. 145T

Pole	HP	KW	Hz	VOLT	Syn. Speed RPM
8	.75	.56	60	575	900

Ins	Rating	Dimension in	Approx Weight	Bearings
F	CONT.	inch	62 lbs.	DE: 6205ZZ NDE: 6205ZZ

Totally Enclosed Fan-Cooled Type. Squirrel-Cage Rotor.



\diamond		
------------	--	--

DWN.	J. H. LIANG	11-30-98
CHKD.	C. S. LO	12-29-98
APPD.	Y. B. HUANG	12-29-98

TECO Westinghouse

DWG NO.
31057H352001