

DATE  
MAY 28, 2009  
CATALOG # DTP0402G

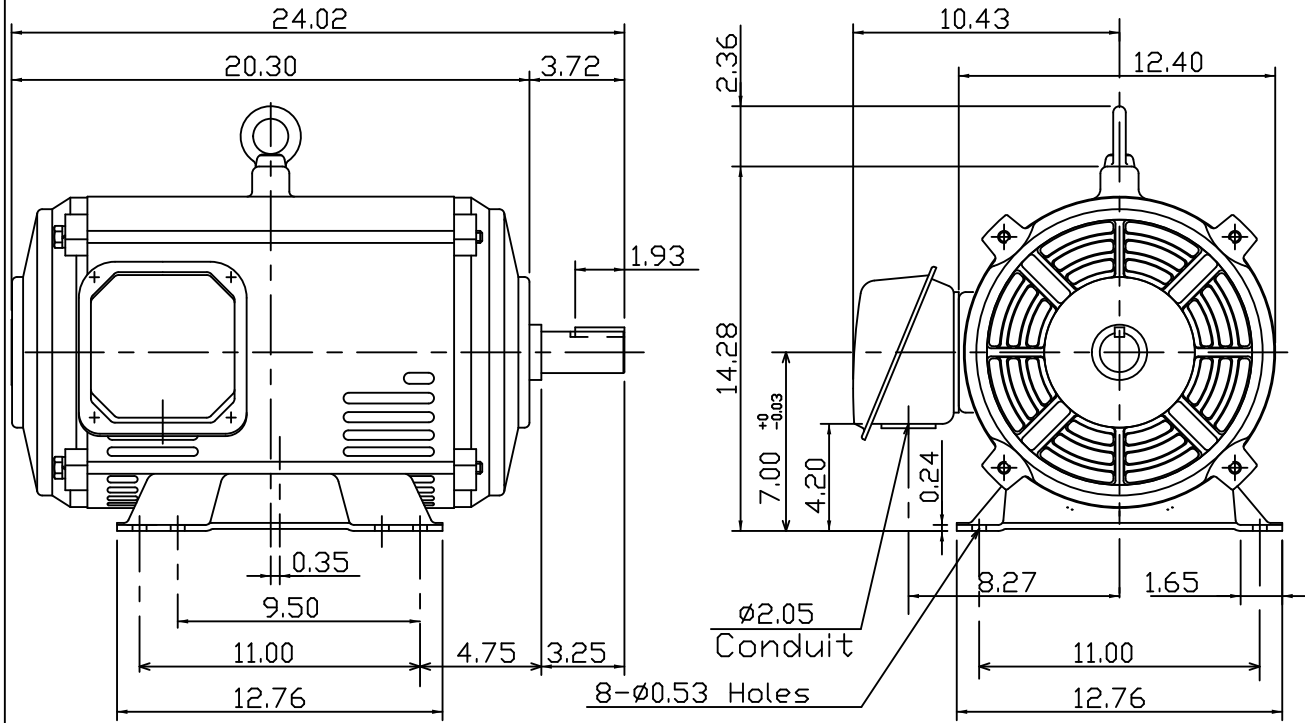
OUTLINE DIMENSIONS  
3-PHASE INDUCTION MOTOR

MOTOR TYPE:  
ASGH-SGR  
FRAME NO. 286TS

|      |    |      |    |         |                         |
|------|----|------|----|---------|-------------------------|
| Pole | HP | kW   | Hz | VOLT    | Syn.Speed<br>r/min(rpm) |
| 2    | 40 | 29.8 | 60 | 230/460 | 3600                    |

|     |        |              |               |                            |
|-----|--------|--------------|---------------|----------------------------|
| Ins | Rating | Dimension in | Approx Weight | Bearings                   |
| F   | CONT.  | inches       | 322 lbs.      | DE: 6311ZZC3 NDE: 6211ZZC3 |

Open Protected Drip-Proof Type.Squirrel-cage Rotor.



NOTE:  
1.AEGIS Grounding ring installed on Drive-end.



|       |          |          |
|-------|----------|----------|
| DWN.  | K.L.KUD  | 04-23-08 |
| CHKD. | K.L.KUD  | 05-05-08 |
| APPD. | M.C.TSAI | 05-05-08 |



DWG NO.  
31057H747010