

DATE
February 16, 2004

CATALOG NO.
DS0034

OUTLINE DIMENSIONS
3-PHASE INDUCTION MOTOR

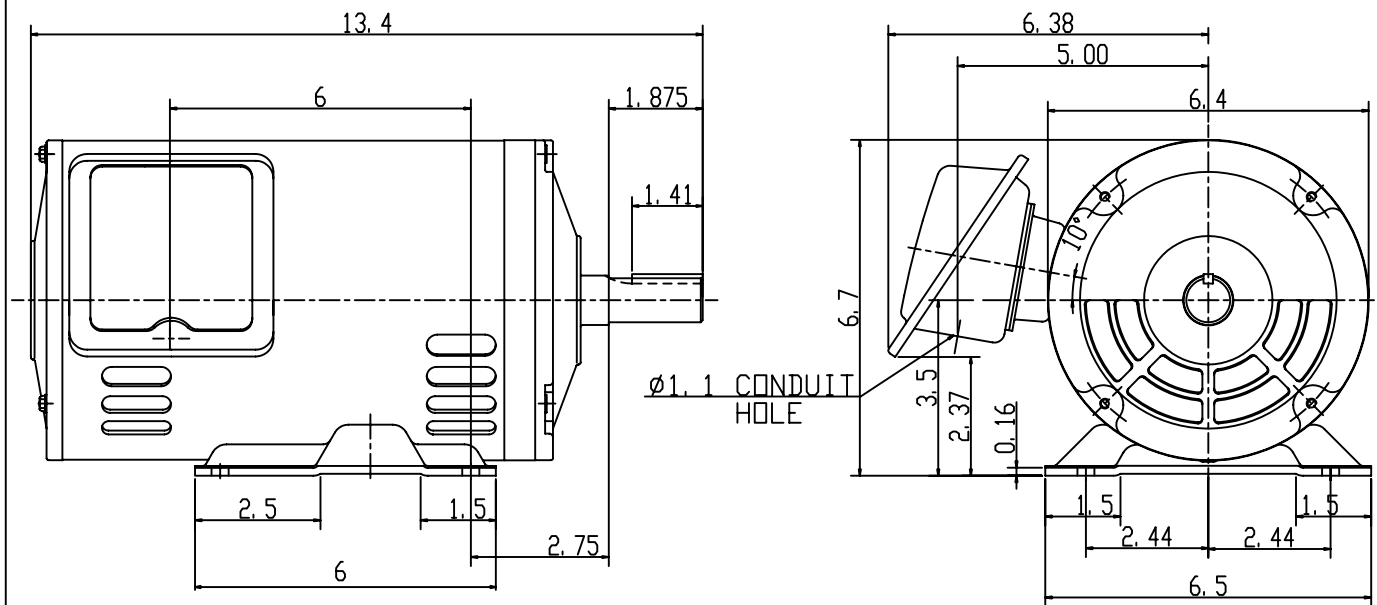
MODEL TYPE:
ASGA

FRAME NO. C56HZ

Pole	HP	KW	Hz	VOLT	Syn. Speed R. P. M
4	3	2.2	60	230/460	1800

Ins.	Rating	Dimensions in	Approx Weight	Bearings
F	CONT.	inch	52.36 lbs	DF: 6205ZZ NDE: 6204ZZ

OPEN DRIP-PROOF



SCALE=3: 1

APPD.	W. H. TSAI	04 03 03
CHKD.	J. B. CHEN	04 03 03
DWN.	P. J. CHEN	04 03 03

TECO   Westinghouse

DWG NO.
31049Z105
1143