

DATE  
February 18, 2004  
CATALOG NO.  
DJP7/54

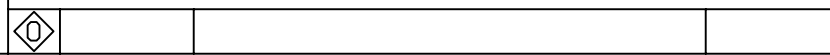
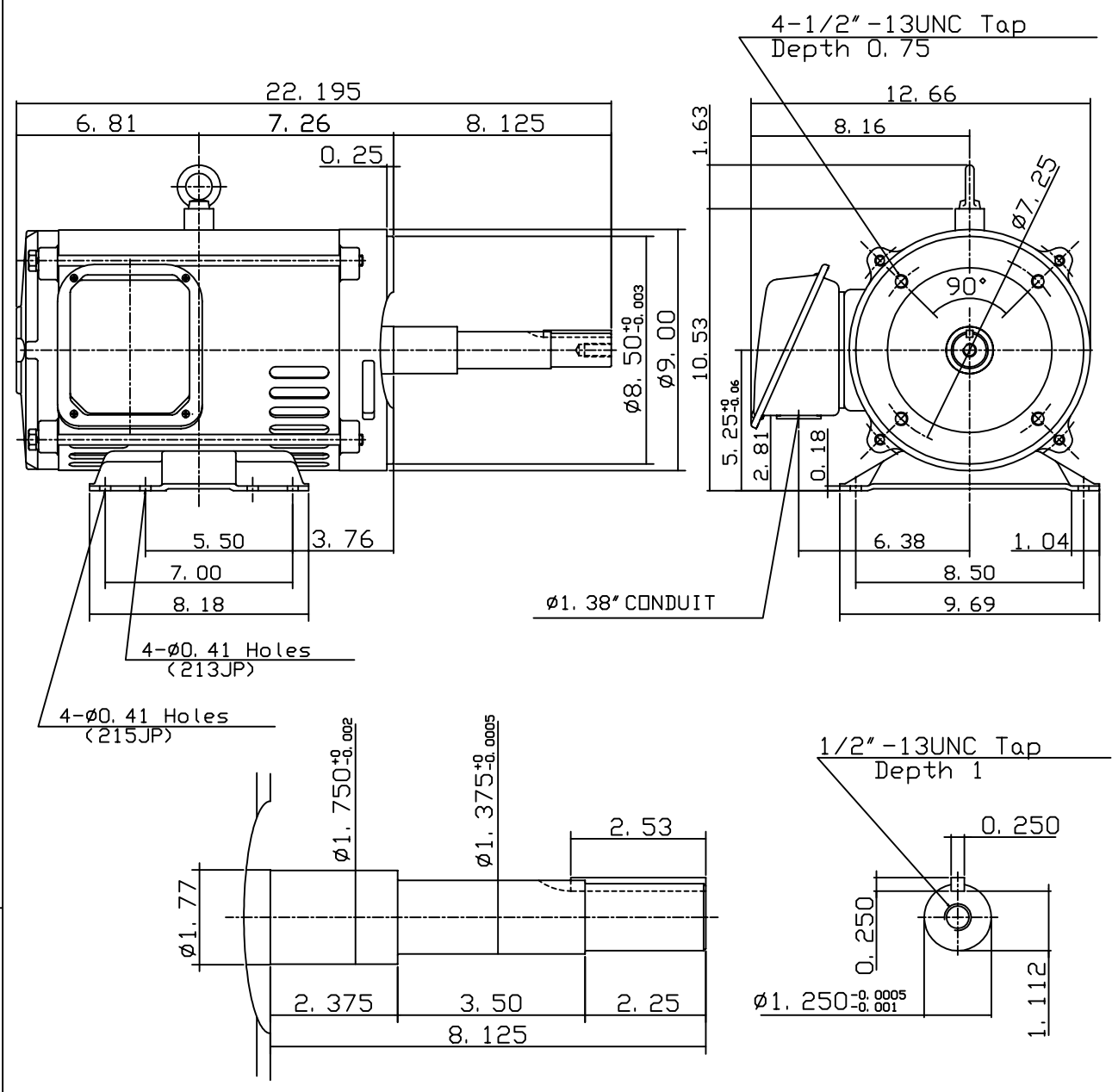
OUTLINE DIMENSIONS  
3-PHASE INDUCTION MOTOR

MOTOR TYPE:  
ASGAJP  
FRAME NO. 213JP

| Pole | HP  | kW  | Hz | VOLT    | Syn. Speed<br>r/min(rpm) |
|------|-----|-----|----|---------|--------------------------|
| 4    | 7.5 | 5.6 | 60 | 230/460 | 1800                     |

| Ins | Rating | Dimension in | Approx Weight | Bearings                   |
|-----|--------|--------------|---------------|----------------------------|
| F   | CONT.  | inches       | 142 lbs.      | DE: 6209ZZC3 NDE: 6206ZZC3 |

Open Protected Drip-Proof Squirrel Cage Rotor.



|       |             |          |
|-------|-------------|----------|
| DWN.  | J. T. HWANG | 04-11-03 |
| CHKD. | J. S. JEAN  | 04-11-03 |
| APPD. | Y. B. HUANG | 04-11-03 |



DWG NO.  
31049U526521