

DATE  
February 18, 2004  
CATALOG NO.  
DJP1/54

# OUTLINE DIMENSIONS

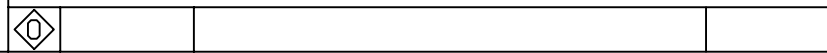
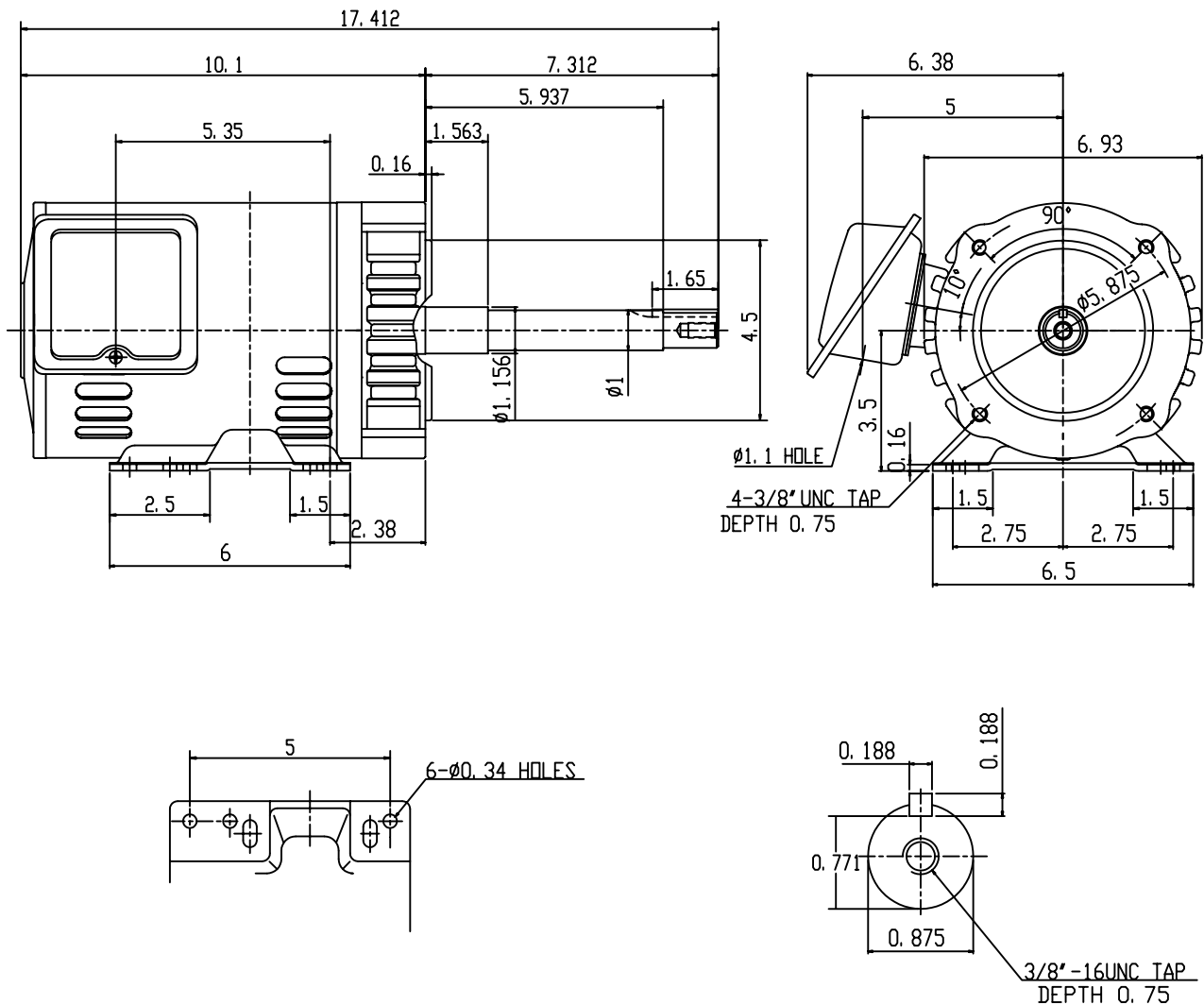
## 3-PHASE INDUCTION MOTOR

MODEL TYPE:  
ASGAJP  
FRAME NO. 145JP

| Pole | HP  | kW | Hz | VOLT    | Syn. Speed<br>r/min(rpm) |
|------|-----|----|----|---------|--------------------------|
| 4    | 1.5 | 1  | 60 | 230/460 | 1800                     |

| Ins | Rating | Dimension in | Approx Weight | Bearings               |
|-----|--------|--------------|---------------|------------------------|
| F   | CONT.  | inches       | 47.6 lbs.     | DE: 6206ZZ NDE: 6204ZZ |

Open Protected Drip-Proof Squirrel Cage Rotor.



|       |             |          |
|-------|-------------|----------|
| DWN.  | J. T. HWANG | 04-11-03 |
| CHKD. | J. S. JEAN  | 04-11-03 |
| APPD. | Y. B. HUANG | 04-11-03 |

TECO Westinghouse

DWG NO.  
31049Z105  
1098