

DATE
February 18, 2004
CATALOG NO.
DJM1/52

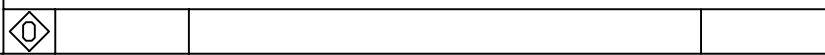
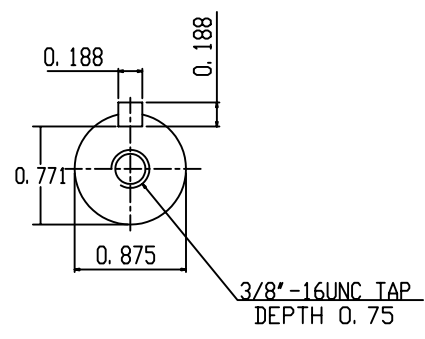
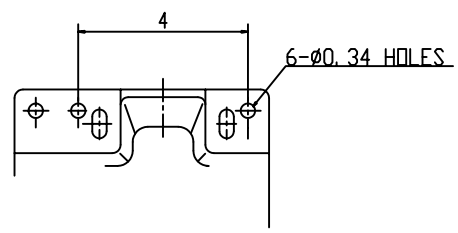
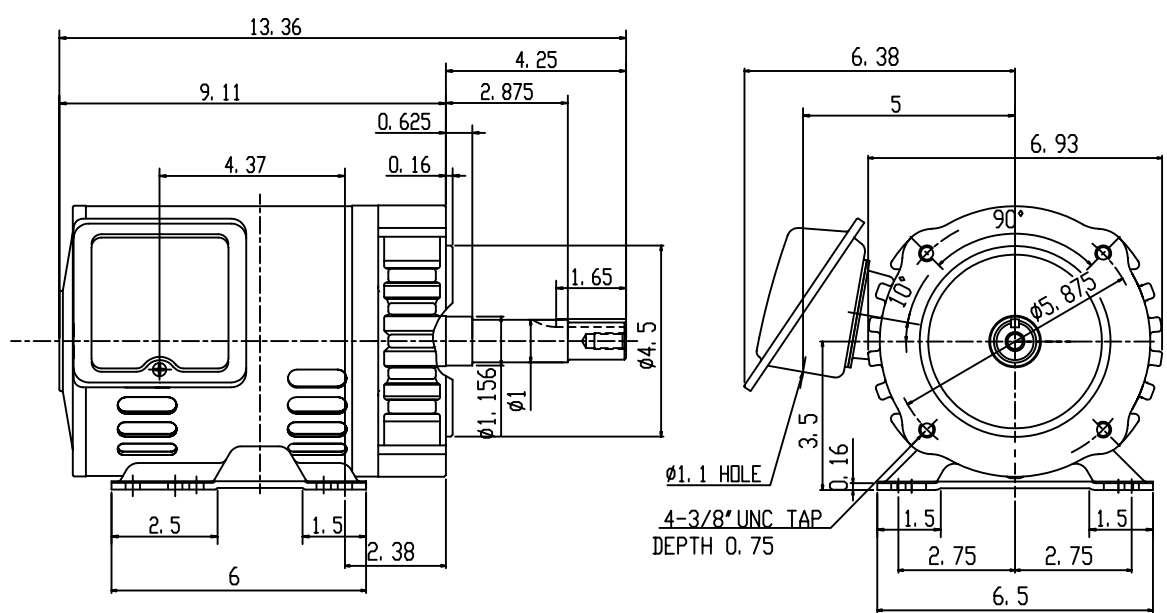
OUTLINE DIMENSIONS
3-PHASE INDUCTION MOTOR

MODEL TYPE:
ASGAJM
FRAME NO. 143JM

Pole	HP	kW	Hz	VOLT	Syn. Speed r/min(rpm)
2	1.5	1	60	230/460	3600

Ins	Rating	Dimension in	Approx Weight	Bearings
F	CONT.	inches	34.4 lbs.	DE: 6206ZZ NDE: 6204ZZ

Open Protected Drip-Proof Squirrel Cage Rotor.



DWN.	J. T. HWANG	04-11-03
CHKD.	J. S. JEAN	04-11-03
APP'D.	Y. B. HUANG	04-11-03



DWG NO.
31049Z105997