

DATE  
February 18, 2004  
CATALOG NO.  
DJM0026

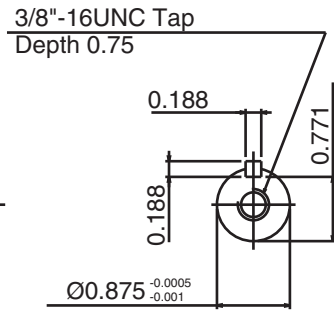
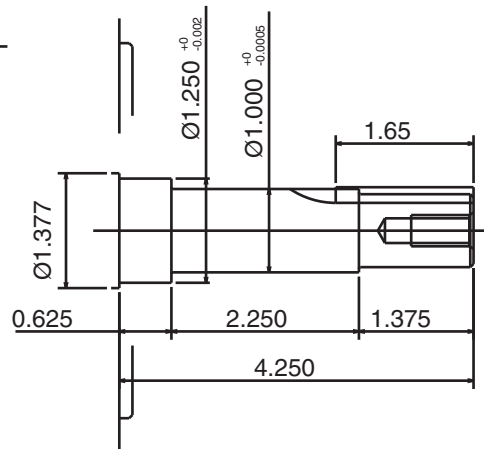
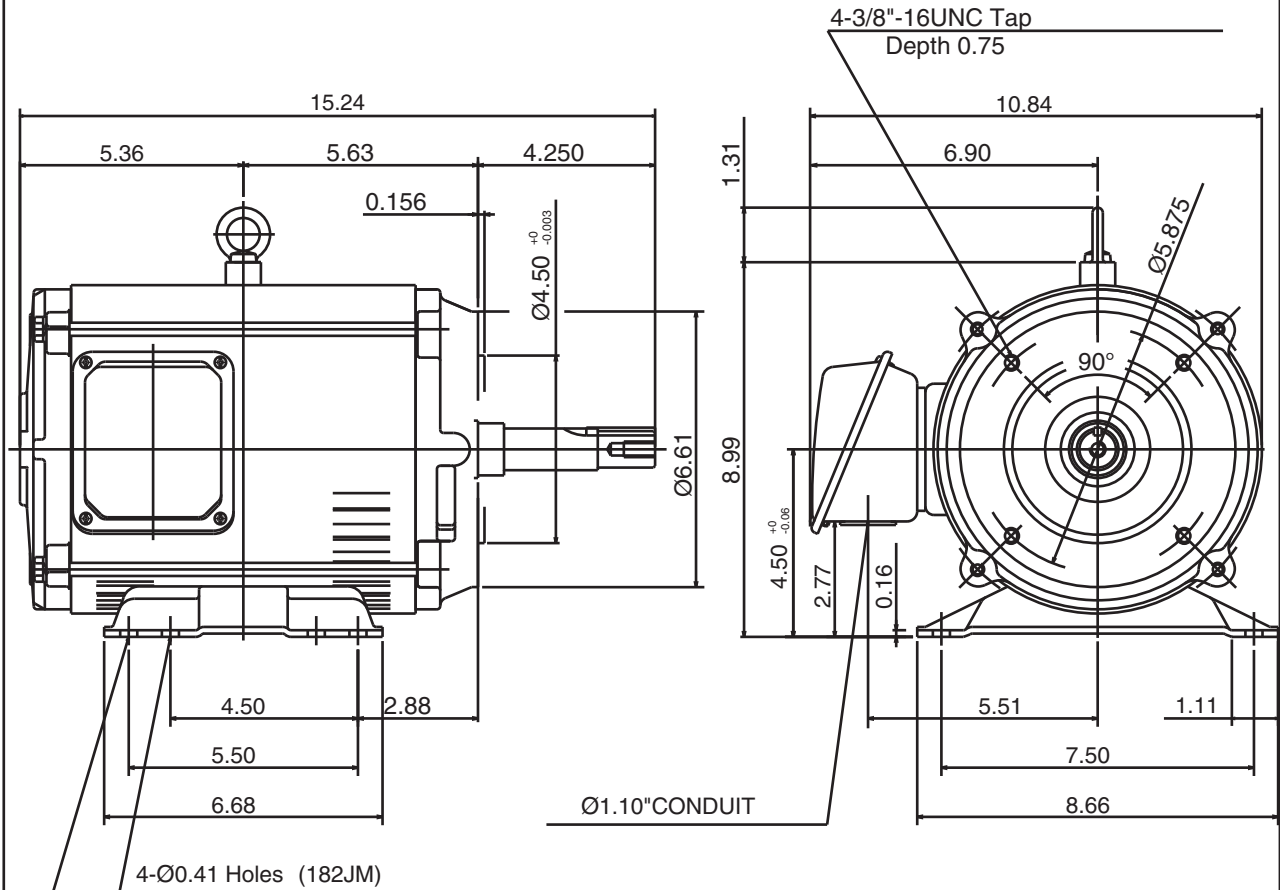
# OUTLINE DIMENSIONS

## 3-PHASE INDUCTION MOTOR

MODEL TYPE:  
**ASGAJM**  
FRAME NO. **184JM**

Pole	HP	kW	Hz	VOLT	Syn.Speed r/min(rpm)
6	2	1.5	60	230/460	1200
Ins	Rating	Dimension in	Approx Weight	Bearings	
F	CONT.	inches	89 lbs.	DE: 6207ZZC3 NDE: 6205ZZC3	

Open Protected Drip-Proof Squirrel Cage Rotor.



DWN.	J.T.HWANG	04 · 11 · 03
CHKD.	J.S.JEAN	04 · 11 · 03
APPD.	Y.B.HUANG	04 · 11 · 03

**TECO** **Westinghouse**

DWG NO.  
**31049U536535**