

DATE  
February 18, 2004  
CATALOG NO.  
DJM0016

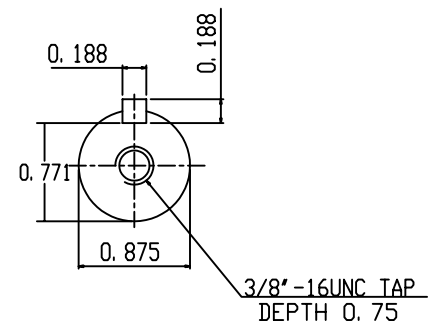
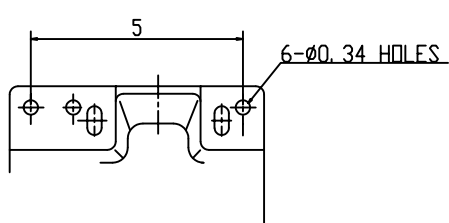
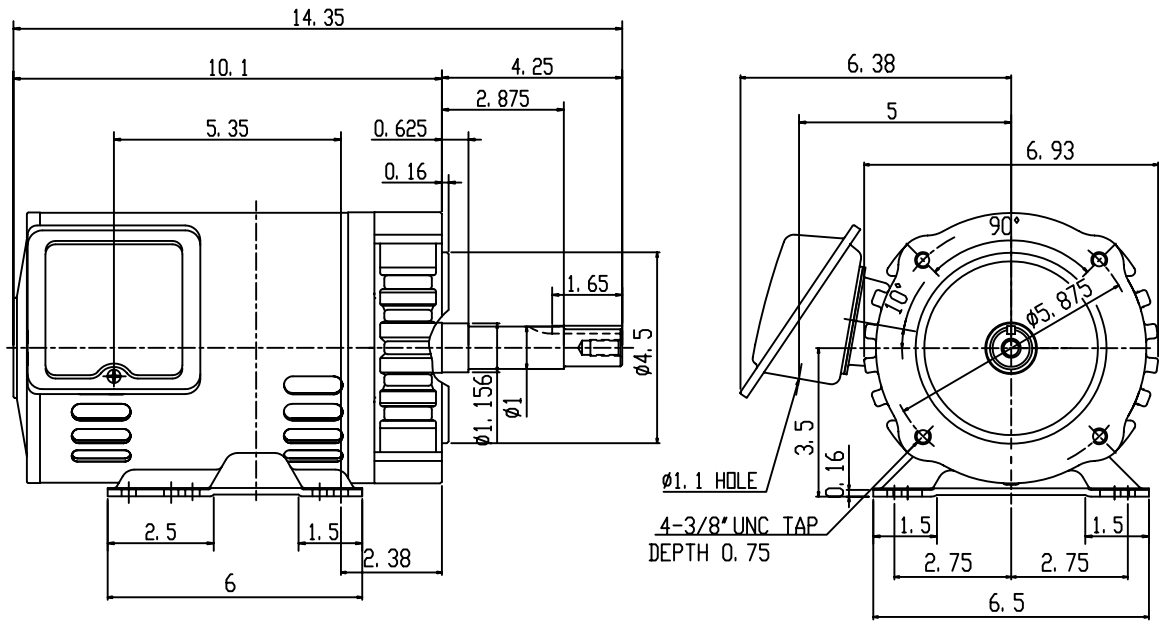
OUTLINE DIMENSIONS  
3-PHASE INDUCTION MOTOR

MODEL TYPE:  
ASGAJM  
FRAME NO. 145JM

Pole	HP	kW	Hz	VOLT	Syn. Speed r/min(rpm)
6	1	.75	60	230/460	1200

Ins	Rating	Dimension in	Approx Weight	Bearings
F	CONT.	inches	40.5 lbs.	DE: 6206ZZ NDE: 6204ZZ

Open Protected Drip-Proof Squirrel Cage Rotor.



DWN.	J. T. HWANG	04-11-03
CHKD.	J. S. JEAN	04-11-03
APPD.	Y. B. HUANG	04-11-03



DWG NO.  
31049Z105970