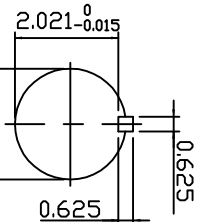
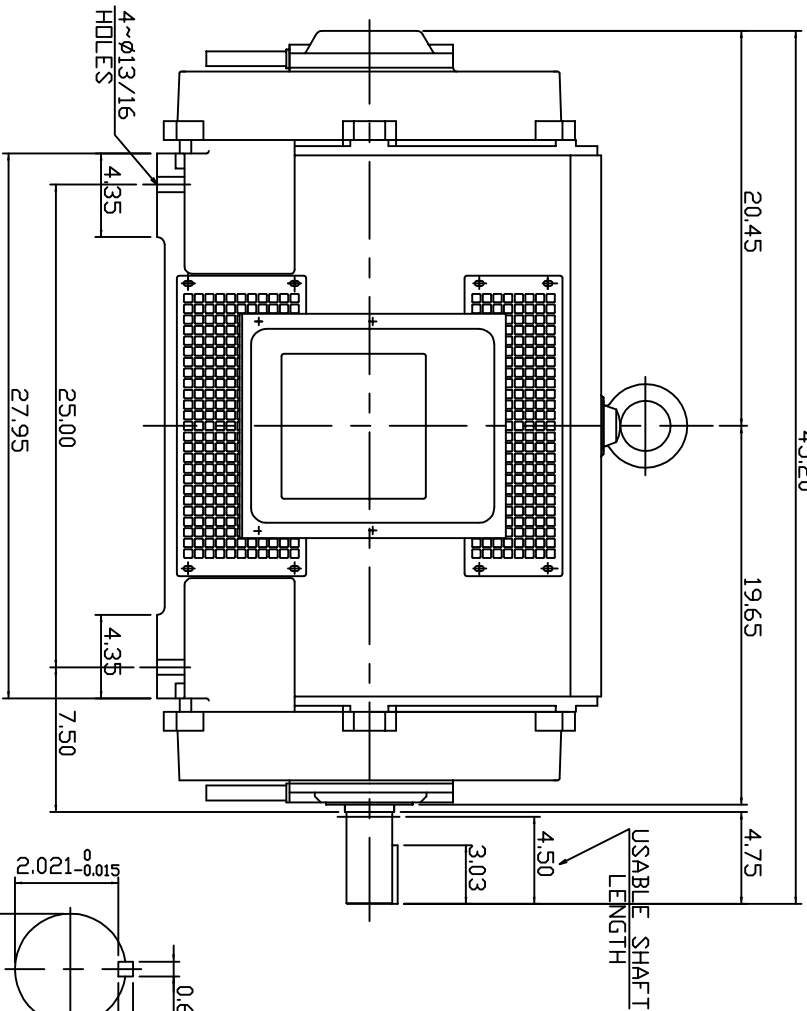
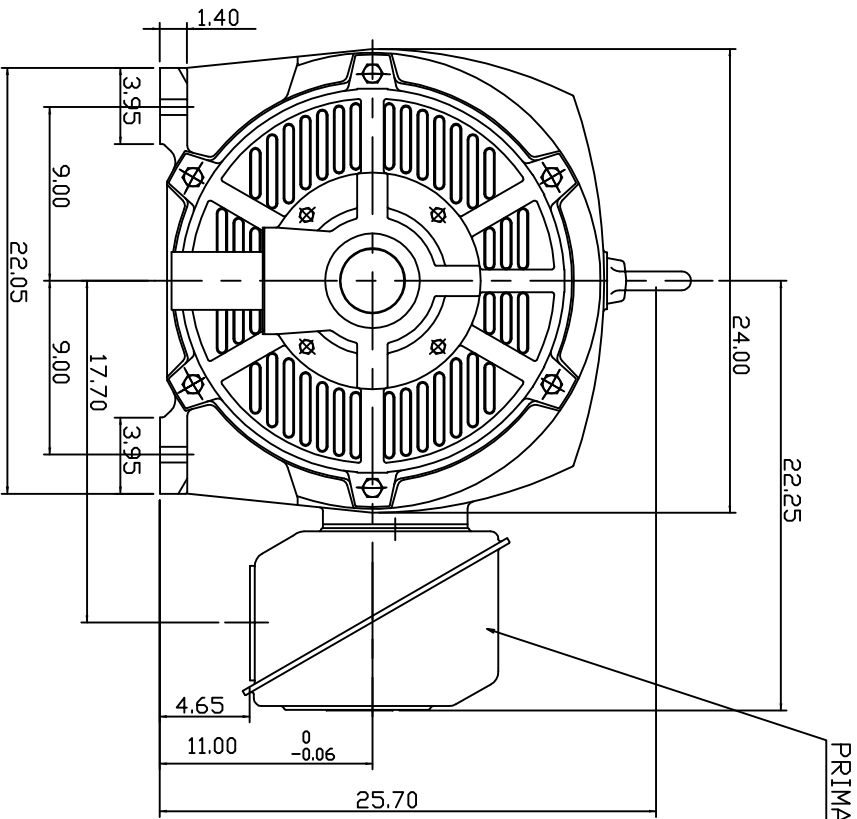


TYPE	OUTPUT		POLE	TIME RATING	VOLTAGE V	Hz	SYN SPEED R.P.M
	HP.	KW.					
ASHH	500	373	2	CDNT.	460	60	3600

DRIP PROOF TYPE. SQUIRREL-CAGE ROTOR



- NOTE:
1. DIMENSIONS IN INCH
  2. FRAME NO. 449TS
  3. F CLASS INSULATION
  4. FOR DIRECT FLEXIBLE COUPLING
  5. ENCLOSURE: IP22
  6. BEARING SIZE: DPP, DRIVE END 6315C3  
DPP, DRIVE END 6315C3
  7. MOTOR APPROX. WEIGHT: 2225 LBS

TB-56SC

DWN.	HCHEN	JUL -05 -2010
CHKD.	W.V/ENG	JUL -05 -2010
APPD.	T.H/STAD	JUL -05 -2010

DATE	JUL Y 9, 2010	OUTLINE DIMENSIONS
CATALOG NO.	DHP5002	3-PHASE INDUCTION MOTOR



DWG NO. 3A049DTA0013-4  
REV: 00