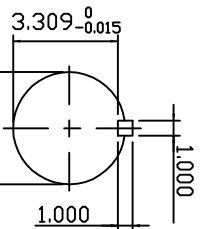
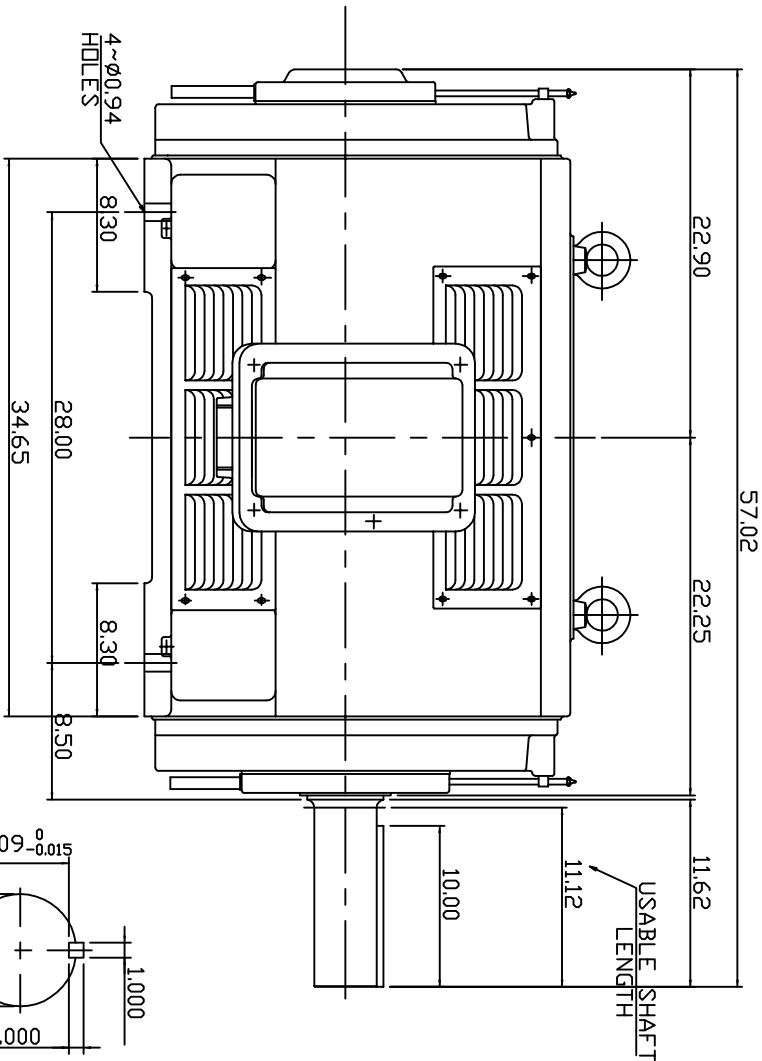
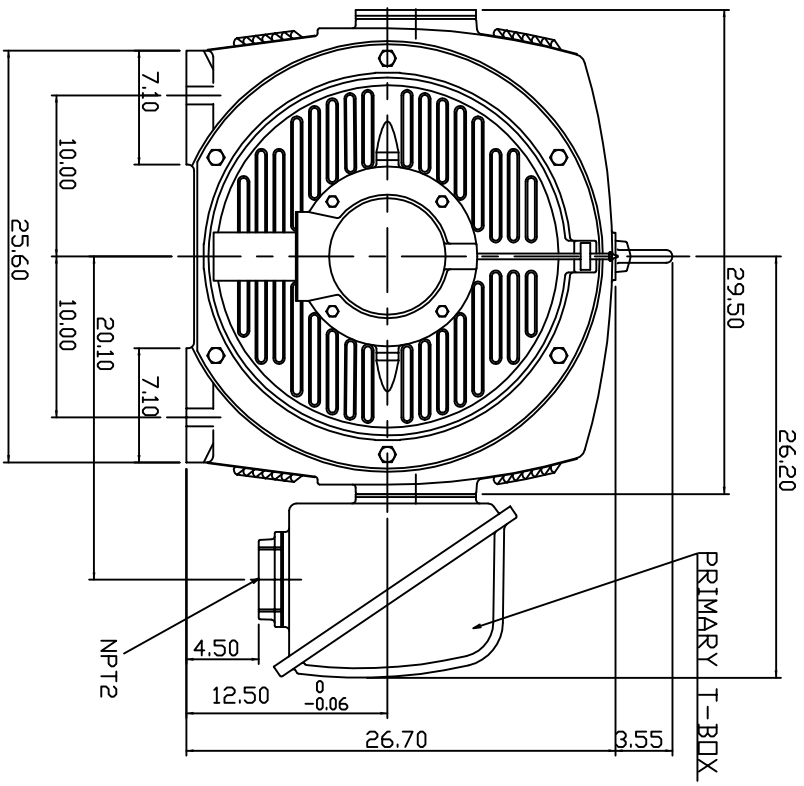


TYPE	OUTPUT		POLE	TIME RATING	VOLTAGE V	Hz	SYN SPEED R.P.M
	HP.	KW.					
ASHH	450	336	6	CDNT.	460	60	1200

DRIP PROOF TYPE, SQUIRREL-CAGE ROTOR



- NOTE:  
 1. DIMENSIONS IN INCH  
 2. FRAME NO. 5009B  
 3. F CLASS INSULATION  
 4. FOR DIRECT FLEXIBLE COUPLING  
 5. ENCLOSURE: IP22  
 6. BEARING SIZE: DPP, DRIVE END 6324  
 7. MOTOR APPROX. WEIGHT: 3960 LBS

TW-56C

DWN.	HCHEN	JUL. 05. 2010
CHKD.	W.V/ENG	JUL. 05. 2010
APPD.	T.H/STAD	JUL. 05. 2010

DATE	JUL y 9, 2010	OUTLINE DIMENSIONS
CATALOG NO.	DHP4506	3-PHASE INDUCTION MOTOR



DWG NO. 3A049DTA0013-9  
 REV: 00