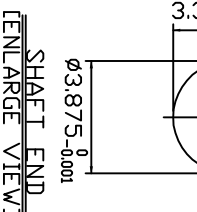
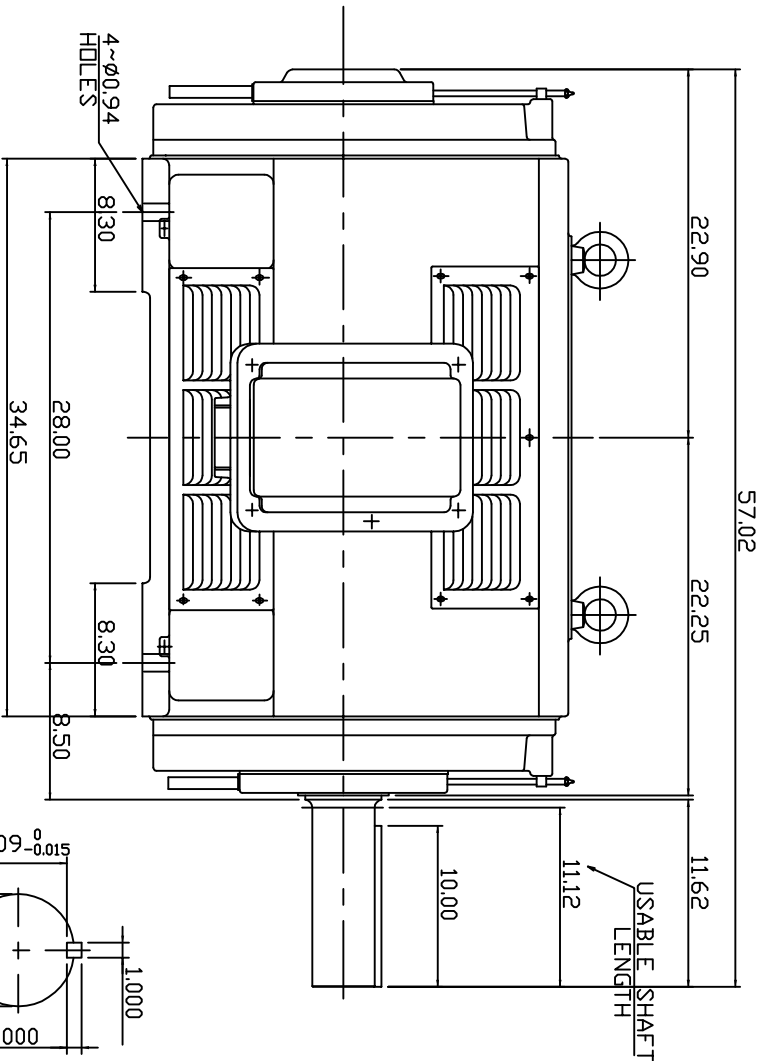
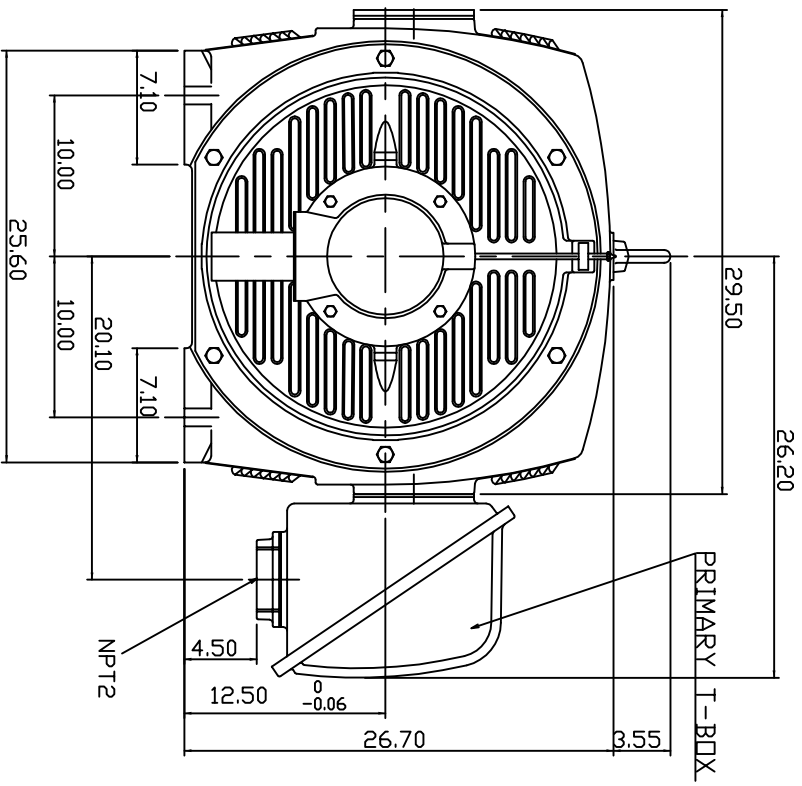


TYPE	OUTPUT		POLE	TIME RATING	VOLTAGE V	Hz	SYN SPEED R.P.M
	HP.	KW.					
ASHH	450	336	4	CDNT.	460	60	1800

DRIP PROOF TYPE, SQUIRREL-CAGE ROTOR



- NOTE:
 1. DIMENSIONS IN INCH
 2. FRAME NO. 5009B
 3. F CLASS INSULATION
 4. FOR DIRECT FLEXIBLE COUPLING
 5. ENCLOSURE: IP22
 6. BEARING SIZE: DPP, DRIVE END 6324
 7. MOTOR APPROX. WEIGHT: 3620 LBS

TW-56C

DATE		OUTLINE DIMENSIONS	
DWN.	HCHEN	JUL .05 .2010	3-PHASE INDUCTION MOTOR
CHKD.	W.WENG	JUL .05 .2010	
APPD.	T.HSIAD	JUL .05 .2010	
CATALOG NO. DHP4504		TECO Westinghouse	
DVG NO. 3A049DTA0013-9		REV: 00	