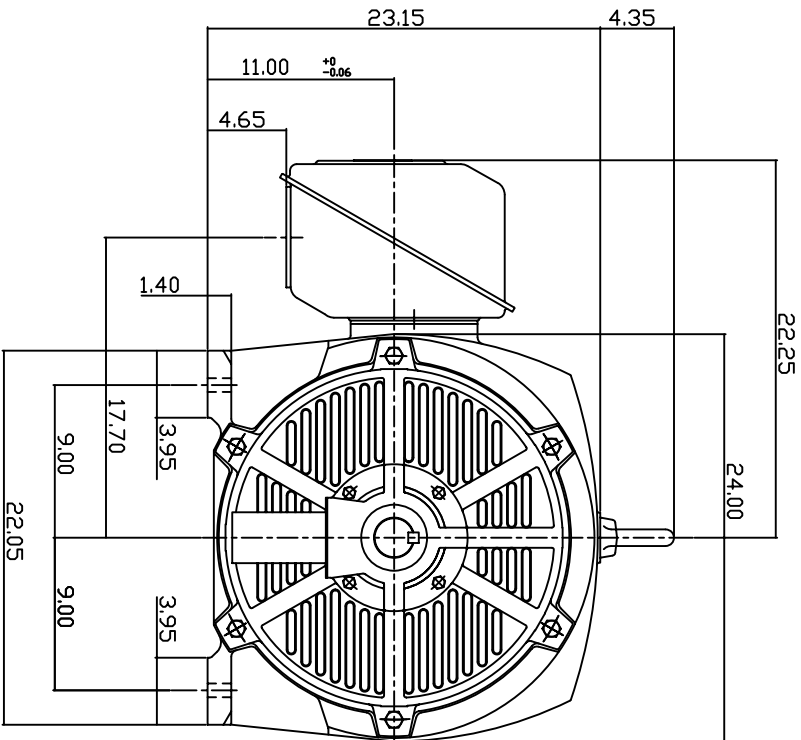
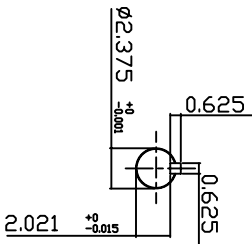
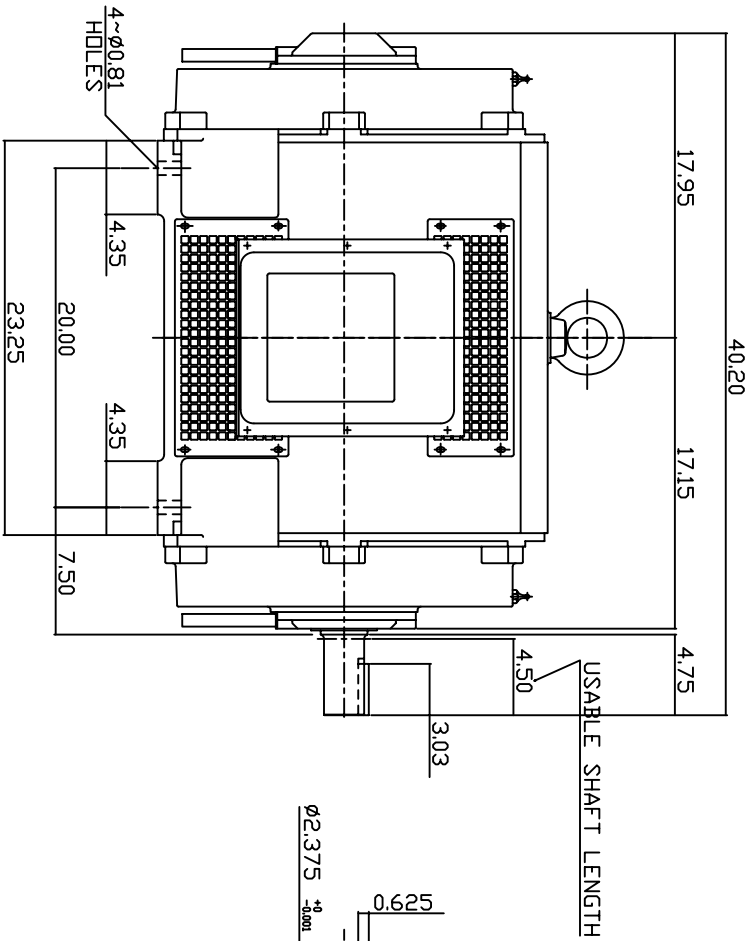


TYPE	OUTPUT		POLE	TIME RATING CDNT.	VOLTAGE V	Hz	SYN.SPEED R.P.M
	HP.	K.W.					
ASHH	350	261	2		380	50	3000

DRIP PROOF TYPE, SQUIRREL-CAGE ROTOR



NOTE:

1. DIMENSIONS IN INCH.
2. FRAME NO. 447TS
3. F CLASS INSULATION, S.F. 1.0
4. FOR DIRECT FLEXIBLE COUPLING
5. BEARING SIZE: DRIVE END: 6315C3
NON-DRIVE END: 6315C3
6. MOTOR APPROX. WEIGHT: 1590 LBS

TB-56SC

DWN.	V.L.LIN	MAR-26-2003
CHKD.	V.L.LIN	MAR-26-2003
APPD.	C.WANG	MAR-26-2003

DATE February 24, 2007
 CATALOG NO. DHP3502-50
 OUTLINE DIMENSIONS
 3-PHASE INDUCTION MOTOR

TECO **Westinghouse**
 DVG NO. 3A040T262
 REV: 00