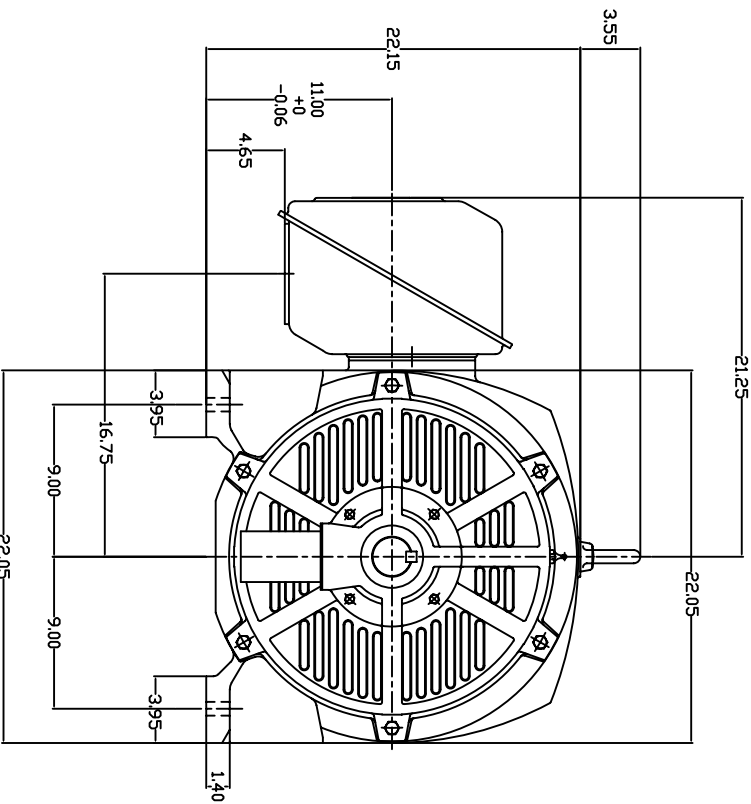
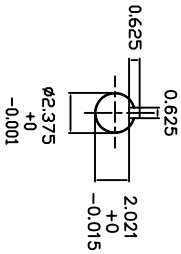
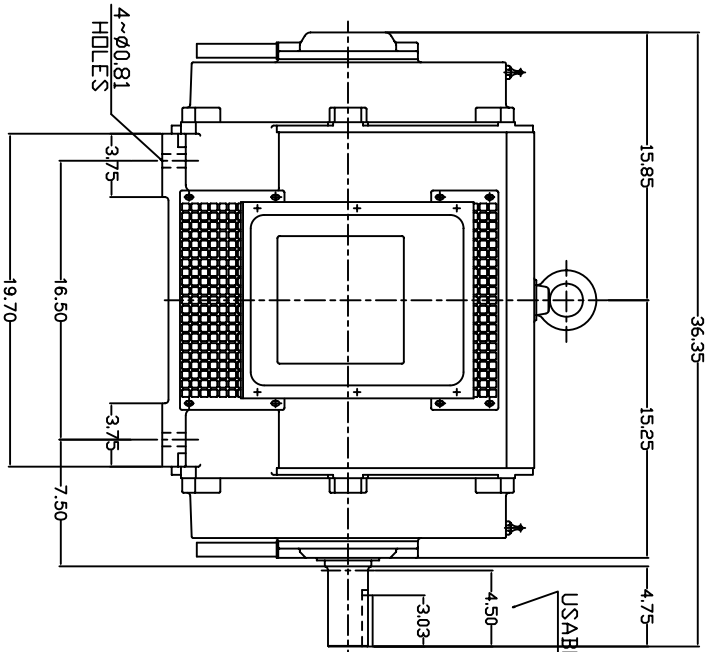


TYPE	OUTPUT		POLE	TIME RATING	VOLTAGE	Hz	SYN SPEED R.P.M
	HP.	KW.					
ASHH	250	186.5	2	CONT.	380	50	3000

DRIP PROOF TYPE, SQUIRREL-CAGE ROTOR



NOTE:

1. DIMENSIONS IN INCH.
2. FRAME NO. 445TS
3. F CLASS INSULATION, S.F. 10
4. FOR DIRECT FLEXIBLE COUPLING
5. BEARING SIZE: DRIVE END: 6314C3
NON-DRIVE END: 6314C3
6. MOTOR APPROX. WEIGHT: 1280 LBS

TB-56SC

DATE	DATE	DATE	DATE
February 24, 2007	MAR. 26. 2003	MAR. 26. 2003	MAR. 26. 2003
CATALOG NO.	W.L.LIN	W.L.LIN	W.L.LIN
DHP2502-50	CHKD.	APPD.	APPD.
	W.L.LIN	C.WANG	C.WANG
	MAR. 26. 2003	MAR. 26. 2003	MAR. 26. 2003

TECO Westinghouse

OUTLINE DIMENSIONS

3-PHASE INDUCTION MOTOR

DWG NO. 3A040T260

REV: 00