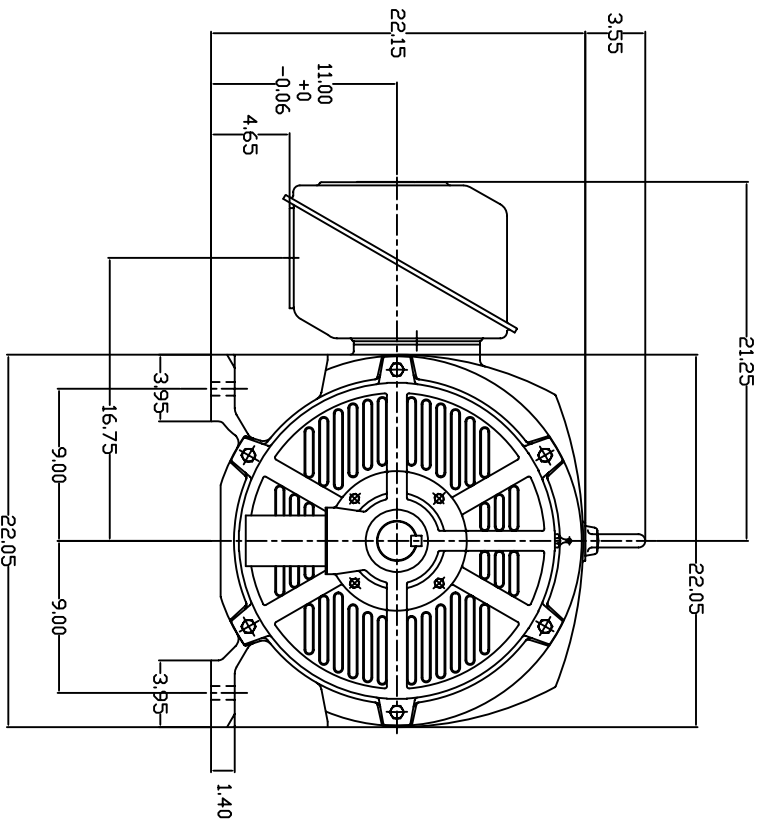
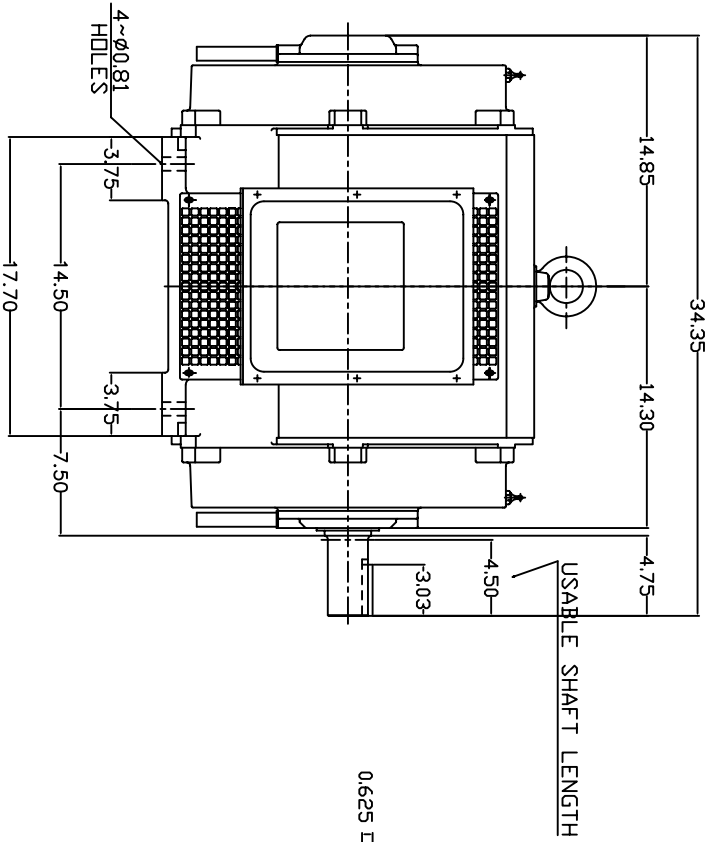


TYPE	OUTPUT		POLE	TIME RATING	VOLTAGE V	Hz	SYN SPEED R.P.M
	HP.	KW.					
ASHH	200	150	2	CDNT.	460	60	3600

DRIP PROOF TYPE, SQUIRREL-CAGE ROTOR



NOTE:

1. DIMENSIONS IN INCH.
2. FRAME NO.444TS
3. F CLASS INSULATION, S.F. 115
4. FOR DIRECT FLEXIBLE COUPLING
5. BEARING SIZE: DRIVE END: 6314C3
NON-DRIVE END: 6314C3
6. MOTOR APPROX. WEIGHT: 1150 LBS

TB-56SC

DWN.	W.LLIN	MAR. 26. 2003
CHKD.	W.LLIN	MAR. 26. 2003
APPD.	C.WANG	MAR. 26. 2003

DATE	February 24, 2007	OUTLINE DIMENSIONS
CATALOG NO.	DHP2002	
3-PHASE INDUCTION MOTOR		DWG NO.
TECO Westinghouse		3A040T258
		REV: 00