

DATE  
FEBRUARY 23, 2007

CATALOG NO.  
DHP1/56G

OUTLINE DIMENSIONS  
3-PHASE INDUCTION MOTOR

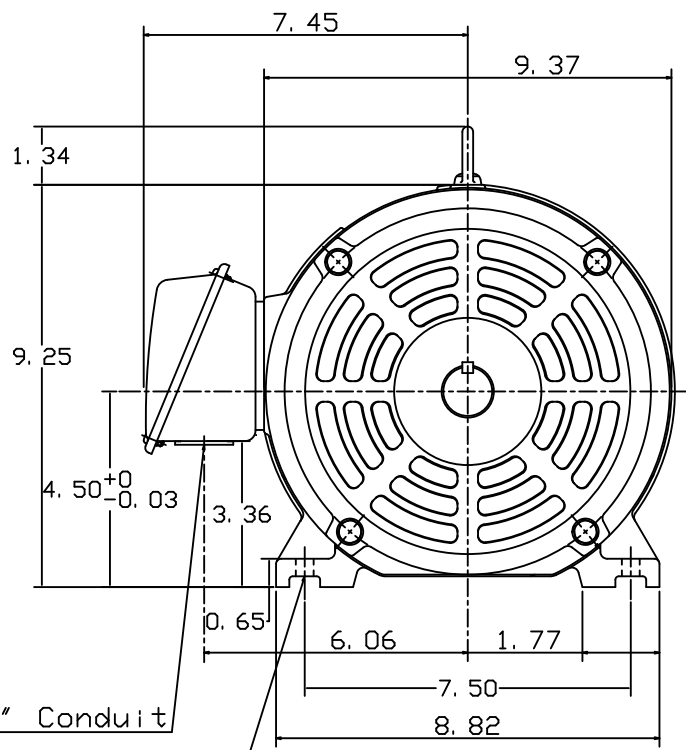
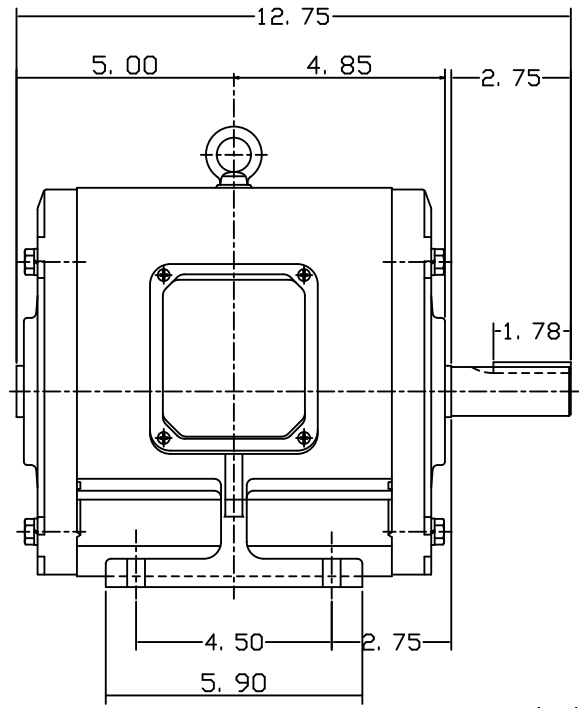
MOTOR TYPE:  
ASHH

FRAME NO. 182T

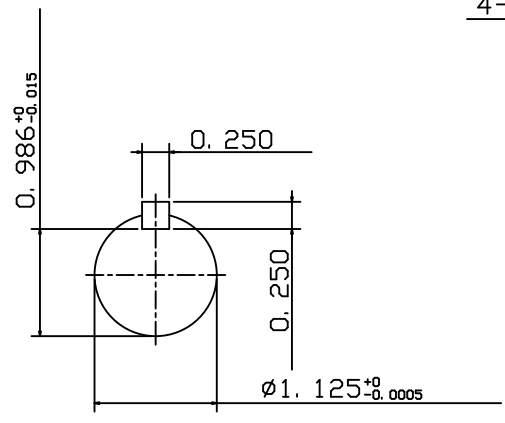
Pole	HP	KW	Hz	VOLT	Syn. Speed RPM
6	1.5	1	60	230/460	1200

Ins	Rating	Dimension in	Approx Weight	Bearings
F	CONT.	inch	95 lbs.	DE: 6306ZZ NDE: 6306ZZ

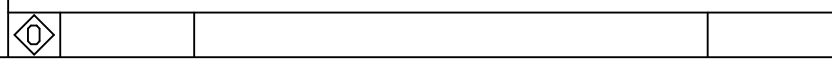
Open Protected Drip-Proof, Squirrel-cage Rotor.



1.1" Conduit  
4-Ø0.41 Holes



NOTE:  
1. AEGIS Grounding ring installed on Drive-end.



DWN.	J. H. LIANG	12-22-98
CHKD.	C. S. LO	05-20-99
APPD.	Y. B. HUANG	05-20-99



DWG NO.  
31057H379000