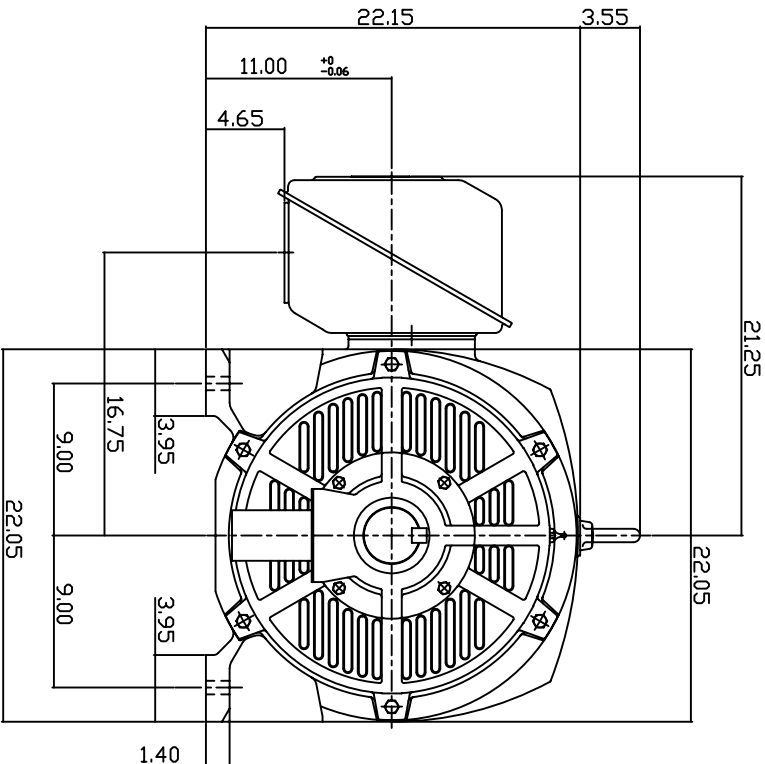
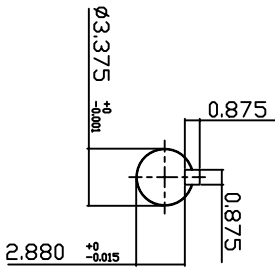
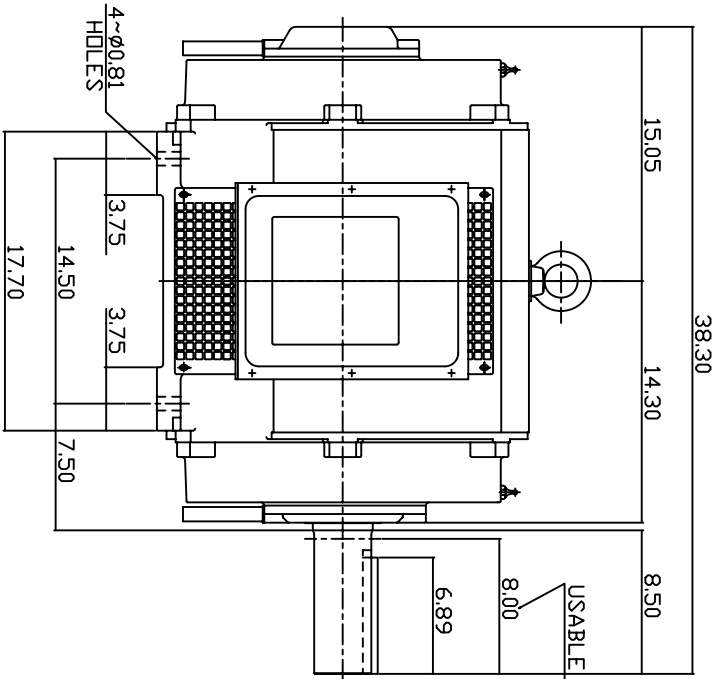


TYPE	OUTPUT		POLE	TIME RATING	VOLTAGE	Hz	SYN.SPEED
	HP.	KW.					
ASHH	150	112	4	CDNT.	460	60	1800

DRIP PROOF TYPE, SQUIRREL-CAGE ROTOR



NOTE:

1. DIMENSIONS IN INCH.
2. FRAME ND.444T
3. F CLASS INSULATION, S.F. 115
4. FOR DIRECT FLEXIBLE COUPLING
5. BEARING SIZE: DRIVE END: 6318  
NON-DRIVE END: 6316
6. MOTOR APPROX. WEIGHT: 1320 LBS

TB-56SC

DWN.	W.L.LIN	MAR. 26. 2003
CHKD.	W.L.LIN	MAR. 26. 2003
APPD.	C.WANG	MAR. 26. 2003

DATE	February 24, 2007	OUTLINE DIMENSIONS
CATALOG NO.	DHP1504	
3-PHASE INDUCTION MOTOR		REV. 00



DWG NO. 3A040T259-1