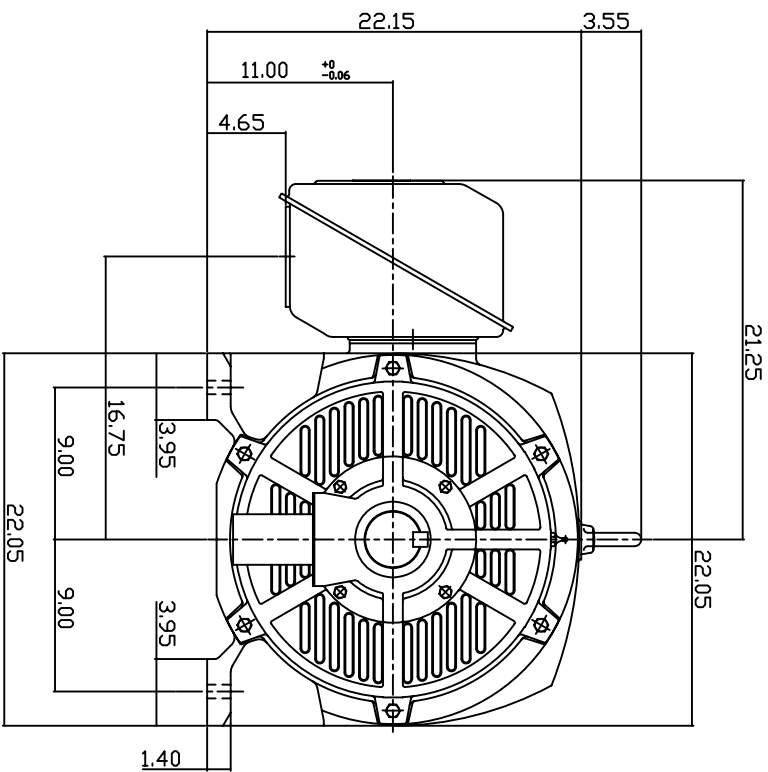
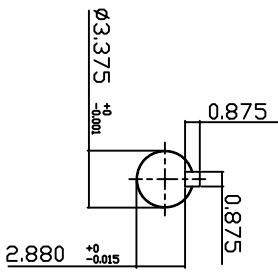
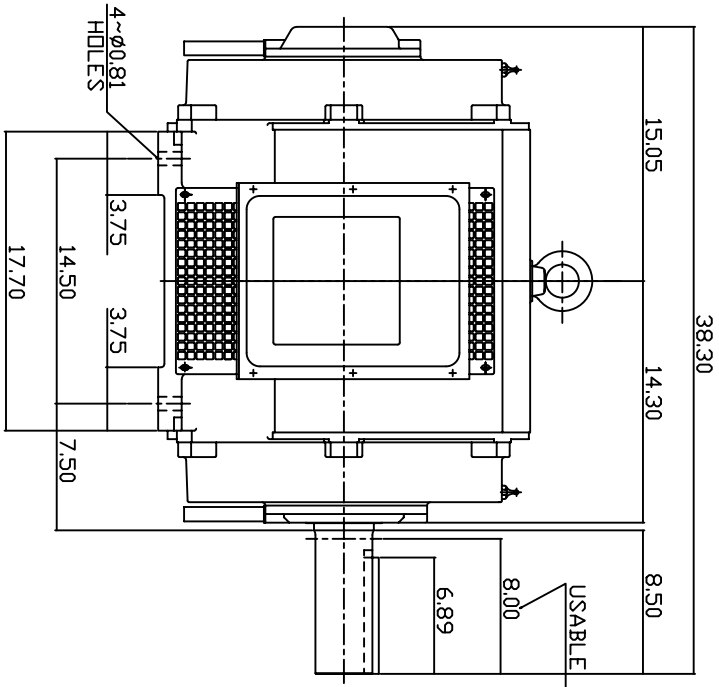


TYPE	OUTPUT		POLE	TIME RATING	VOLTAGE V	Hz	SYN SPEED R.P.M
	HP.	KW.					
ASHH	150	112	4	CDNT.	380	50	1500

DRIP PROOF TYPE, SQUIRREL-CAGE ROTOR



NOTE:  
1. DIMENSIONS IN INCH.  
2. FRAME ND444T  
3. F CLASS INSULATION, S.F. 10  
4. FOR DIRECT FLEXIBLE COUPLING  
5. BEARING SIZE: DRIVE END: 6318  
NON-DRIVE END: 6316  
6. MOTOR APPROX. WEIGHT: 1320 LBS

TB-56SC

DVN.	W.LLIN	MAR. 26. 2003
CHKD.	W.LLIN	MAR. 26. 2003
APPD.	C.WANG	MAR. 26. 2003

DATE	February 24, 2007	OUTLINE DIMENSIONS
CATALOG NO.	DHP1504-50	
TECO Westinghouse		3-PHASE INDUCTION MOTOR
DWG NO.	3A040T259-1	REV: 00