

DATE  
June 21, 2007  
CATALOG NO.  
DHP1254R

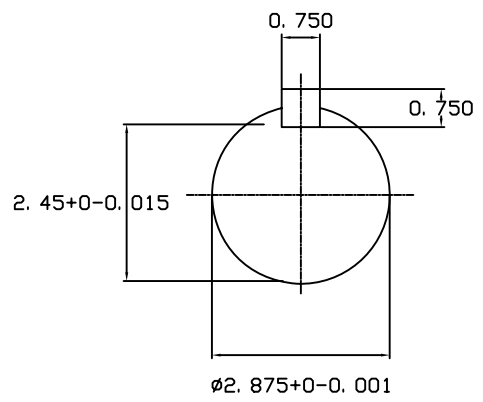
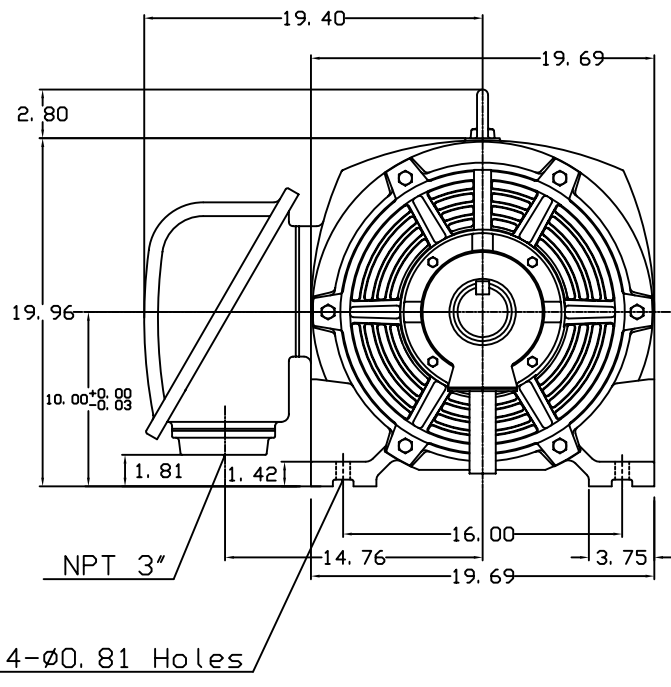
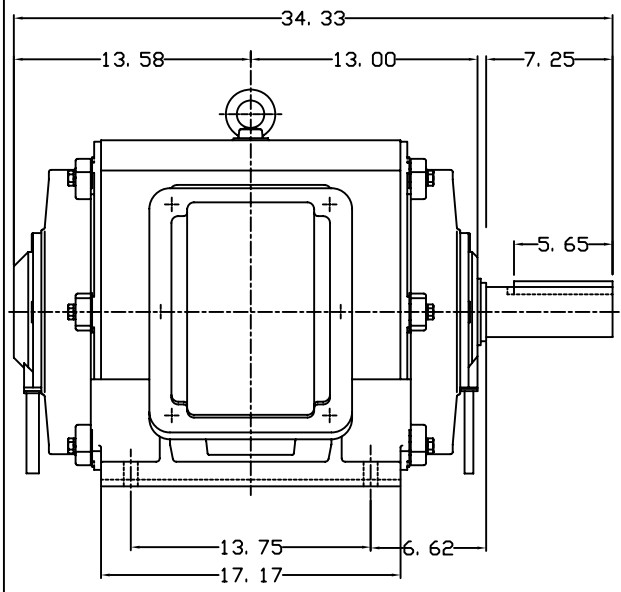
OUTLINE DIMENSIONS  
3-PHASE INDUCTION MOTOR

MOTOR TYPE:  
ASHH  
FRAME NO. 405T

Pole	HP	KW	Hz	VOLT	Syn. Speed RPM
4	125	93.25	60	230/460	1800

Ins	Rating	Dimension in	Approx Weight	Bearings	
F	CONT.	inches	1058 lbs.	DE: NU317	NDE: 6317

Open Protected Drip-Proof Type, Squirrel-cage Rotor.



DWN. J. H. LIANG 12-22-98  
CHKD. C. H. KAO 06-10-99  
APPD. Y. B. HUANG 06-10-99

J:\Sales-Mkt\Tframe\TECH-SUP\Auto Cad Drawings\Newlogoblackwhite\_1.tif

DWG NO.  
31057H400001