

DATE
February 24, 2007
CATALOG NO.
DHP1254

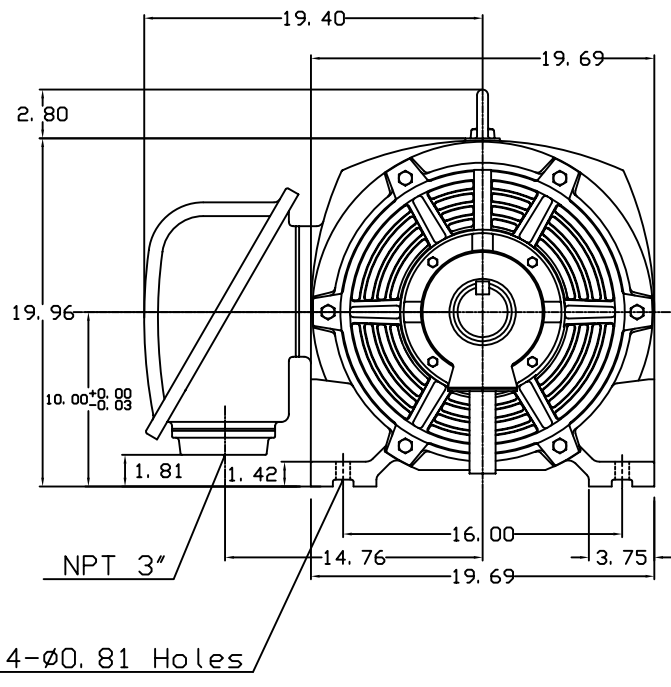
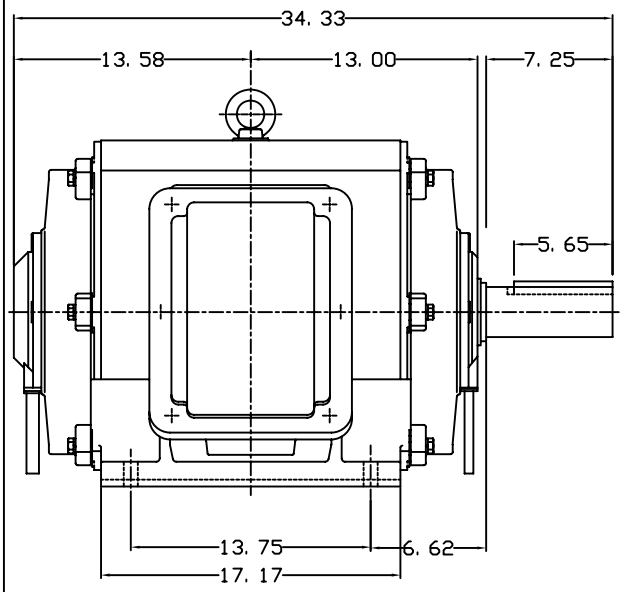
OUTLINE DIMENSIONS
3-PHASE INDUCTION MOTOR

MOTOR TYPE:
ASHH
FRAME NO. 405T

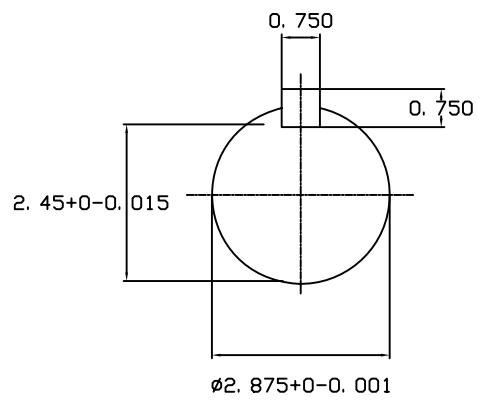
Pole	HP	KW	Hz	VOLT	Syn. Speed RPM
4	125	93.25	60	230/460	1800

Ins	Rating	Dimension in	Approx Weight	Bearings	
F	CONT.	inches	1058 lbs.	DE: 6317	NDE: 6317

Open Protected Drip-Proof Type, Squirrel-cage Rotor.



4-∅0.81 Holes



DWN.	J. H. LIANG	12-22-98
CHKD.	C. H. KAD	06-10-99
APPD.	Y. B. HUANG	06-10-99

J:\Sales-Mkt\Tframe\TECH-SUP\Auto Cad Drawings\Newlogoblackwhite_1.tif

DWG NO.
31057H400001