

DATE
June 21, 2007
CATALOG NO.
DHP0756R

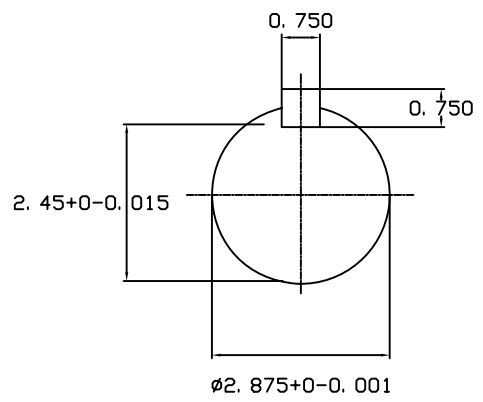
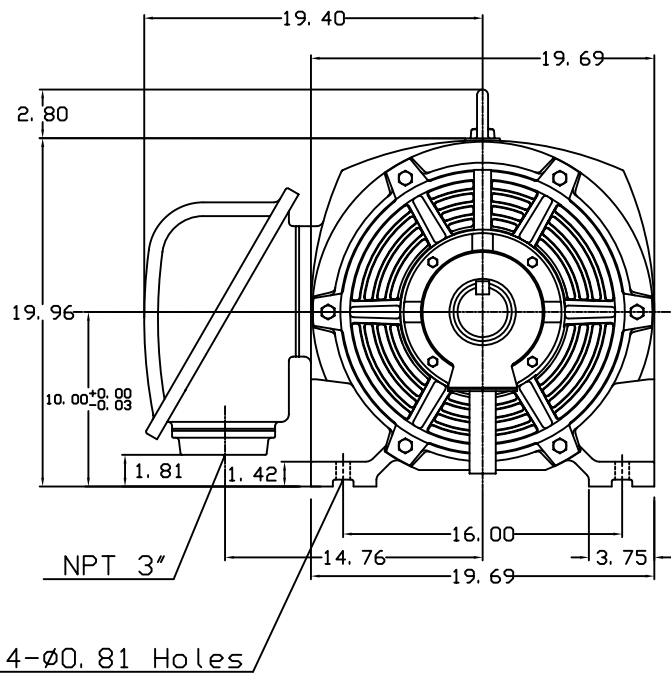
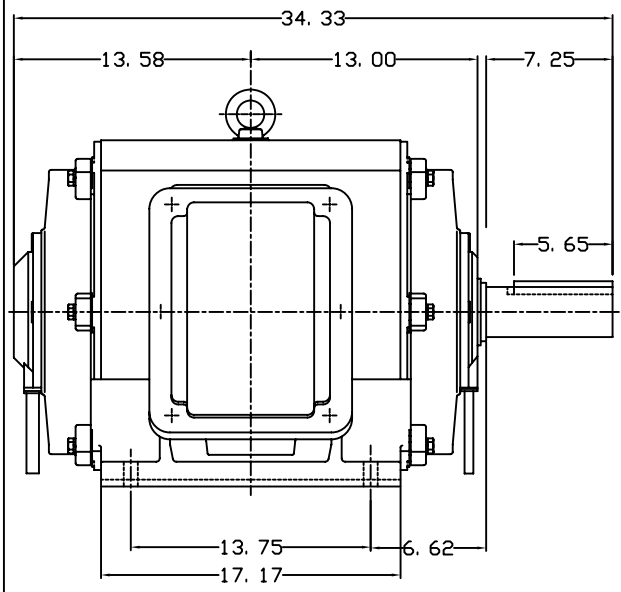
OUTLINE DIMENSIONS
3-PHASE INDUCTION MOTOR

MOTOR TYPE:
ASHH
FRAME NO. 405T

| Pole | HP | KW | Hz | VOLT | Syn. Speed RPM |
|------|----|----|----|---------|-------------------|
| 6 | 75 | 56 | 60 | 230/460 | 1200 |

| Ins | Rating | Dimension in | Approx Weight | Bearings | |
|-----|--------|--------------|---------------|-----------|-----------|
| F | CONT. | inches | 1058 lbs. | DE: NU317 | NDE: 6317 |

Open Protected Drip-Proof Type, Squirrel-cage Rotor.



| | | |
|-------|-------------|----------|
| DWN. | J. H. LIANG | 12-22-98 |
| CHKD. | C. H. KAO | 06-10-99 |
| APPD. | Y. B. HUANG | 06-10-99 |



DWG NO.
31057H400000