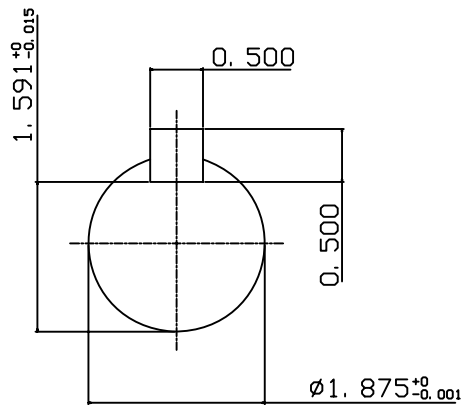
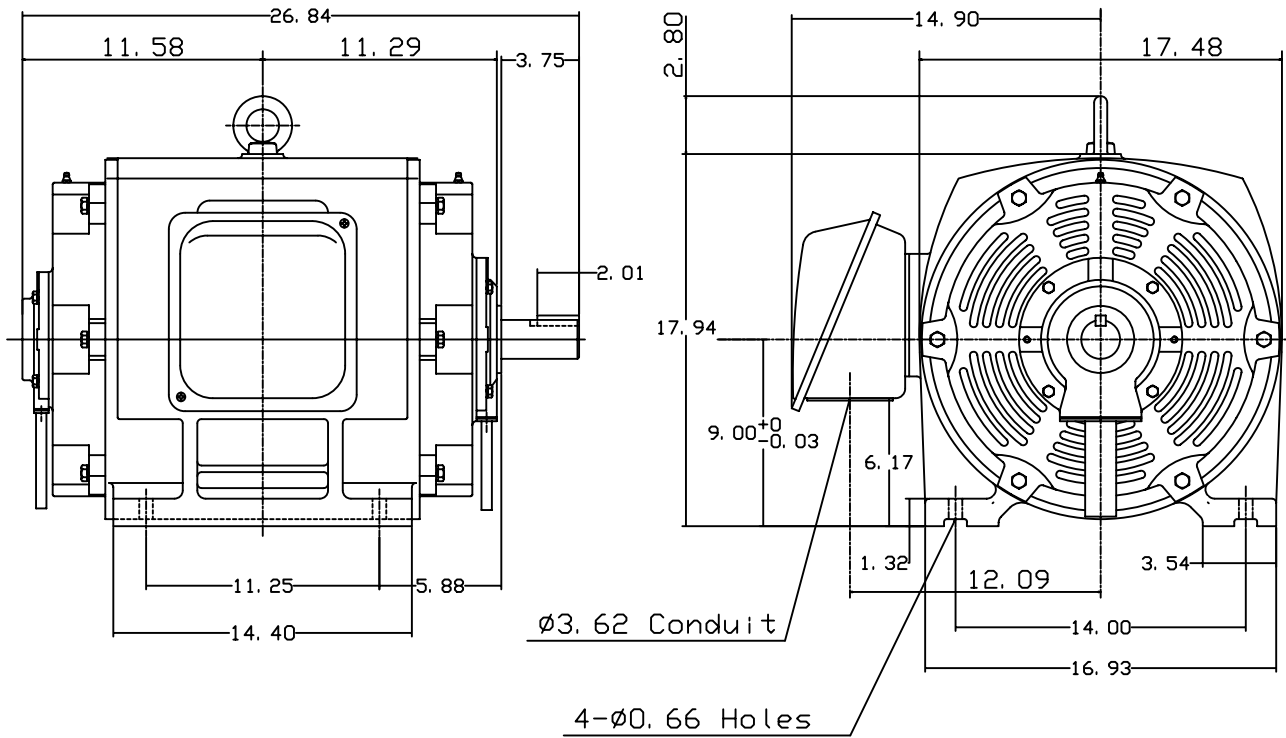


DATE May 11, 2007	OUTLINE DIMENSIONS 3-PHASE INDUCTION MOTOR	MOTOR TYPE: ASHH
CATALOG NO. DHP0752		FRAME NO. 364TS

Pole	HP	KW	Hz	VOLT	Syn. Speed RPM
2	75	55	60	230/460	3600

Ins	Rating	Dimension in	Approx Weight	Bearings	
F	CONT.	inch	666 lbs.	DE: 6313C3	NDE: 6213C3

Open Protected Drip-Proof Squirrel-Cage Rotor.



\diamond		
------------	--	--

DWN.	J. H. LIANG	12-22-98
CHKD.	C. H. KAO	06-10-99
APPD.	Y. B. HUANG	06-10-99

TECO   Westinghouse

DWG NO.
31057H393000