

DATE  
February 24, 2007

# OUTLINE DIMENSIONS

MOTOR TYPE:  
ASHH

CATALOG NO.  
DHP0404-50

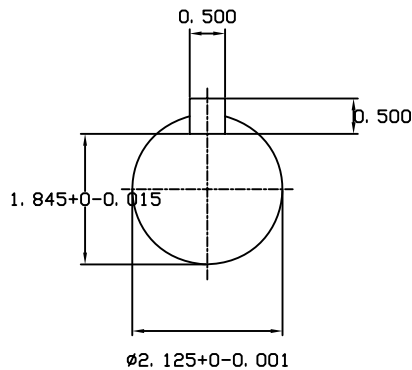
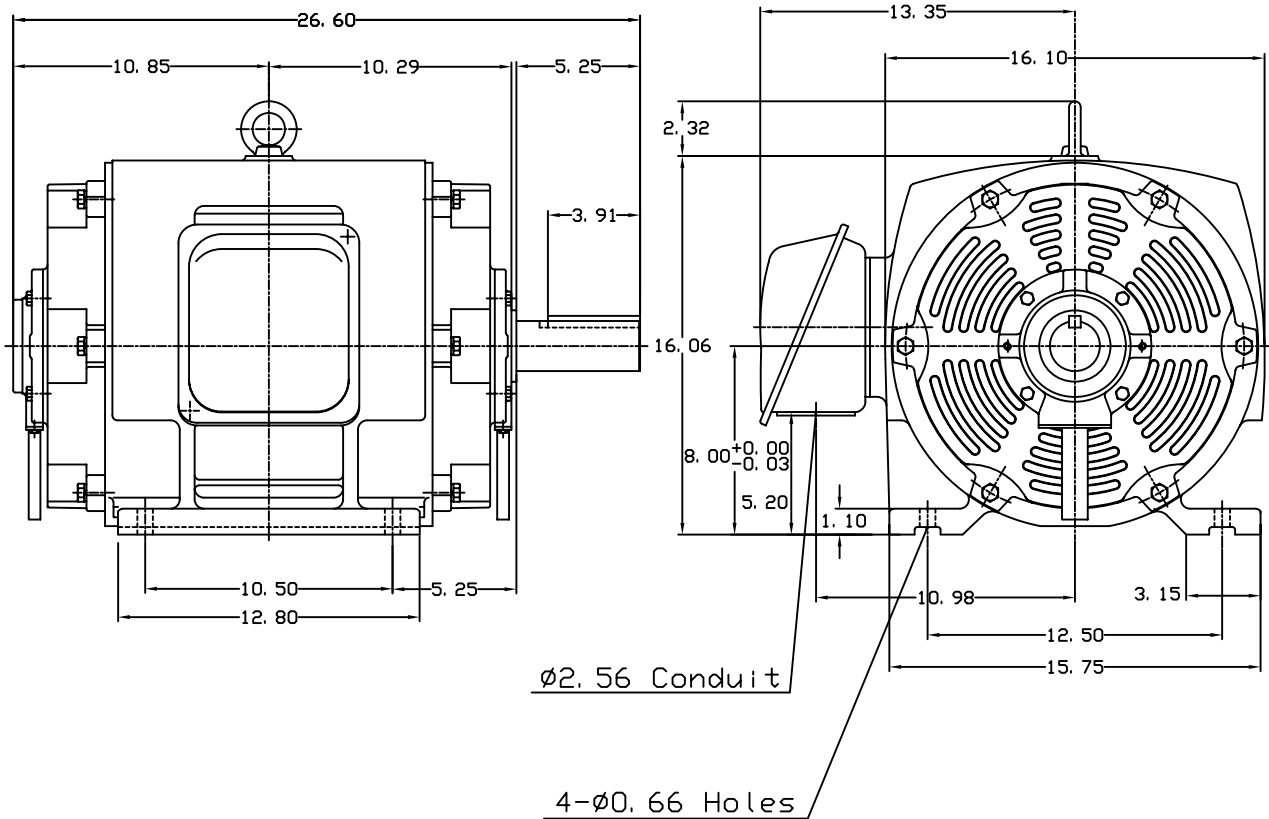
## 3-PHASE INDUCTION MOTOR

FRAME NO. 324T

Pole	HP	KW	Hz	VOLT	Syn. Speed RPM
4	40	30	50	190/380	1500

Ins	Rating	Dimension in	Approx Weight	Bearings	
F	CONT.	inch	520 lbs.	DE: 6213	NDE: 6213

Open Protected Drip-Proof Squirrel-Cage Rotor.



DWN.	J. H. LIANG	12-22-98
CHKD.	C. H. KAO	06-10-99
APPD.	Y. B. HUANG	06-10-99

TECO   Westinghouse

DWG NO.  
31057H390001