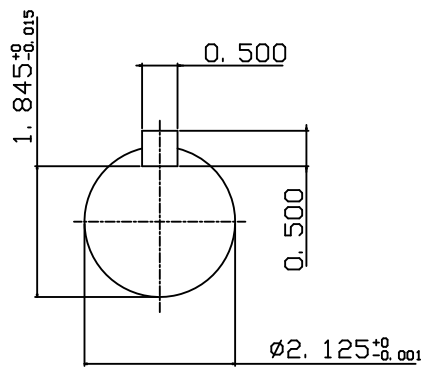
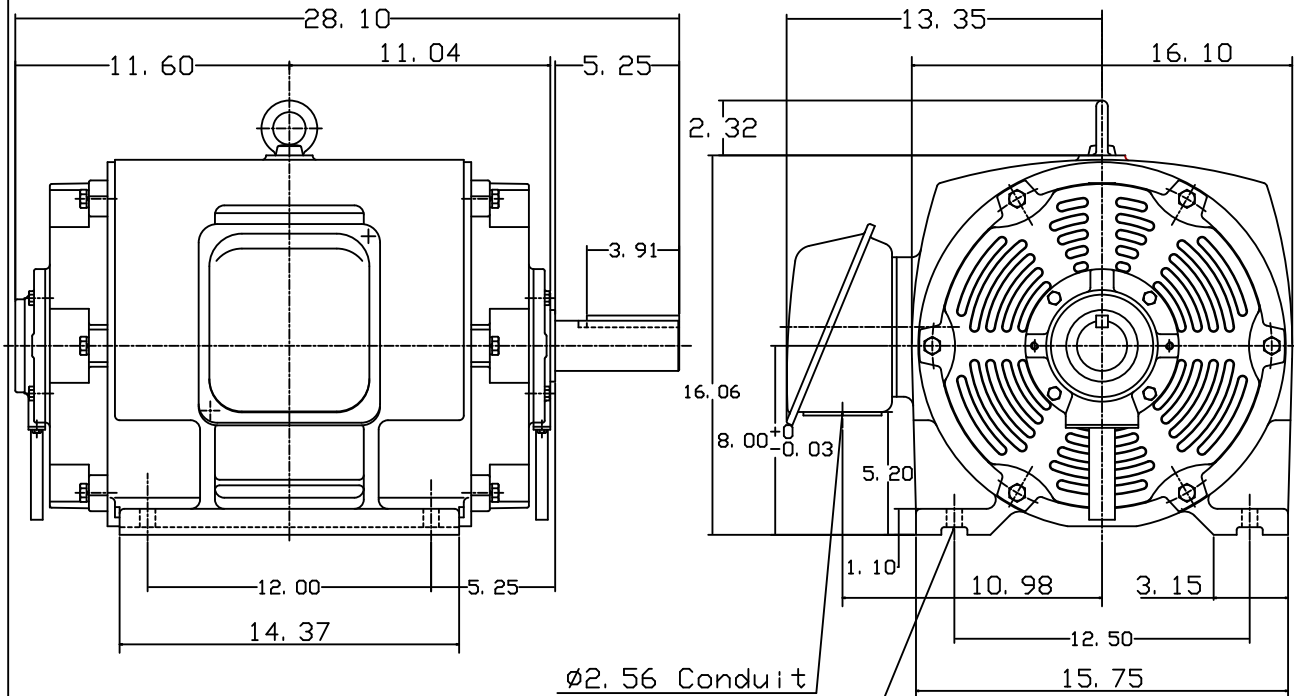


DATE February 24, 2007	OUTLINE DIMENSIONS 3-PHASE INDUCTION MOTOR	MOTOR TYPE: ASHH
CATALOG NO. DHP0306G		FRAME NO. 326T

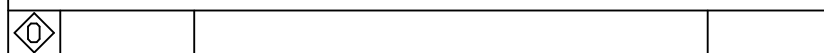
Pole	HP	KW	Hz	VOLT	Syn. Speed RPM
6	30	22.38	60	230/460	1200

Ins	Rating	Dimension in	Approx Weight	Bearings	
F	CONT.	inch	595 lbs.	DE: 6213	NDE: 6213

Open Protected Drip-Proof Squirrel-Cage Rotor.



NOTE: 1. AEGIS Grounding ring installed inside bracket on Non-Drive-end.



DWN. J. H. LIANG 12-22-98	TECO  Westinghouse	DWG NO. 31057H392000
CHKD. C. H. KAO 06-10-99		
APPD. Y. B. HUANG 06-10-99		