

DATE  
FEBRUARY 23, 2007  
CATALOG NO.  
DHP0304G

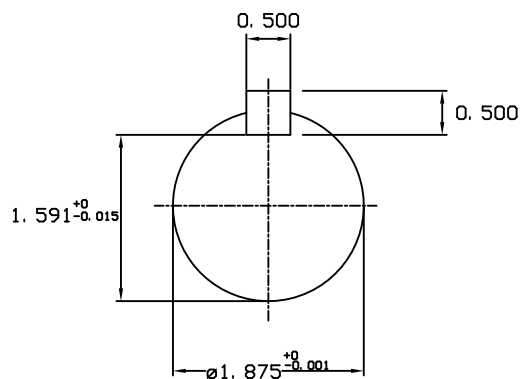
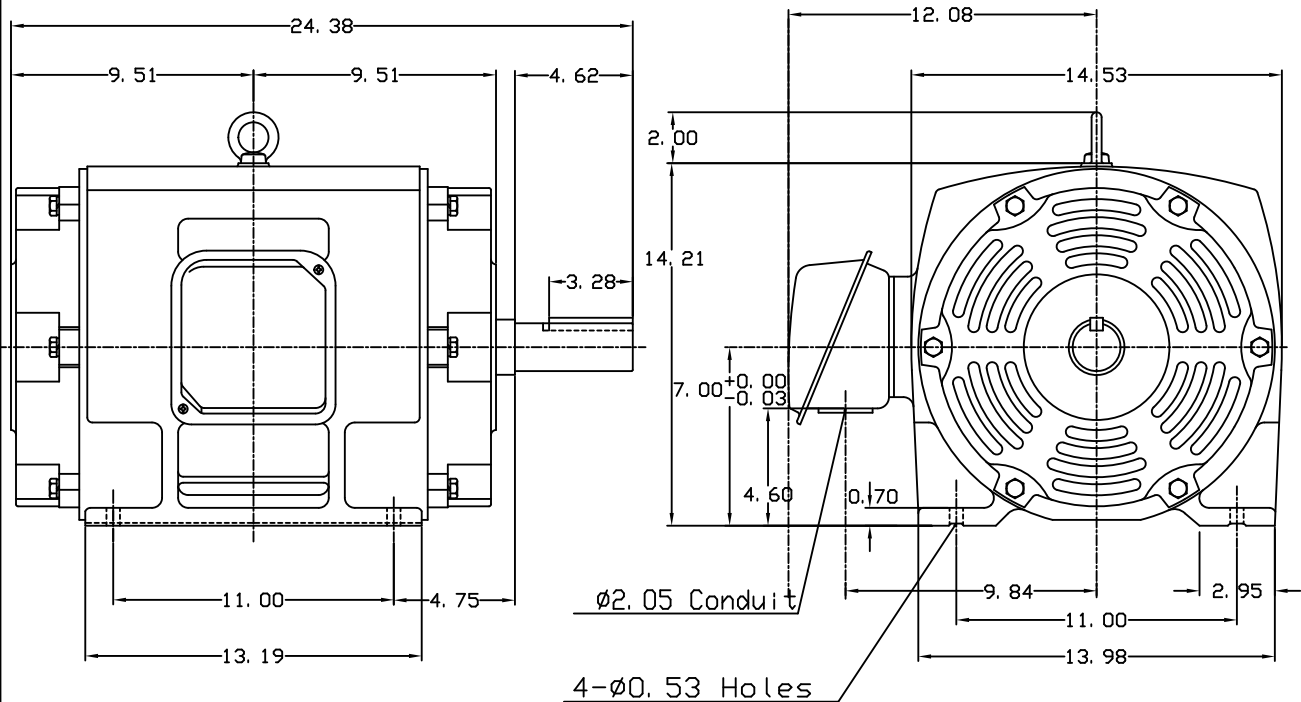
OUTLINE DIMENSIONS  
3-PHASE INDUCTION MOTOR

MOTOR TYPE:  
ASHH  
FRAME NO. 286T

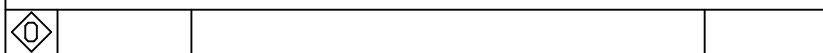
Pole	HP	KW	Hz	VOLT	Syn. Speed RPM
4	30	22.38	60	230/460	1800

Ins	Rating	Dimension in	Approx Weight	Bearings
F	CONT.	inch	397 lbs.	DE: 6311zz NDE: 6310zz

Open Protected Drip-Proof Type. Squirrel-cage Rotor.



NOTE:  
1. AEGIS Grounding ring installed on Drive-end.



DWN.	J. H. LIANG	12-22-98
CHKD.	C. H. KAO	06-10-99
APP'D.	Y. B. HUANG	06-10-99

TECO Westinghouse

DWG NO.  
31057H388001