

DATE
FEBRUARY 23, 2007
CATALOG NO.
DHP0304-50

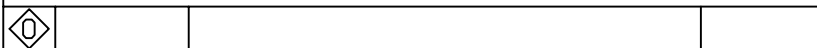
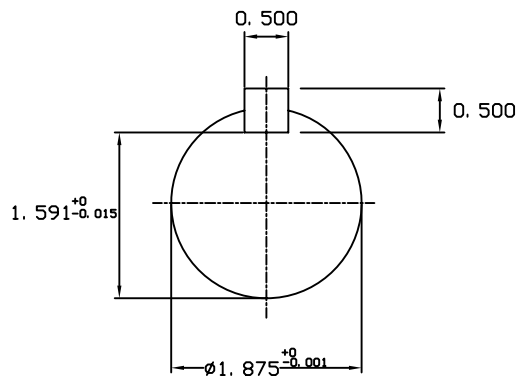
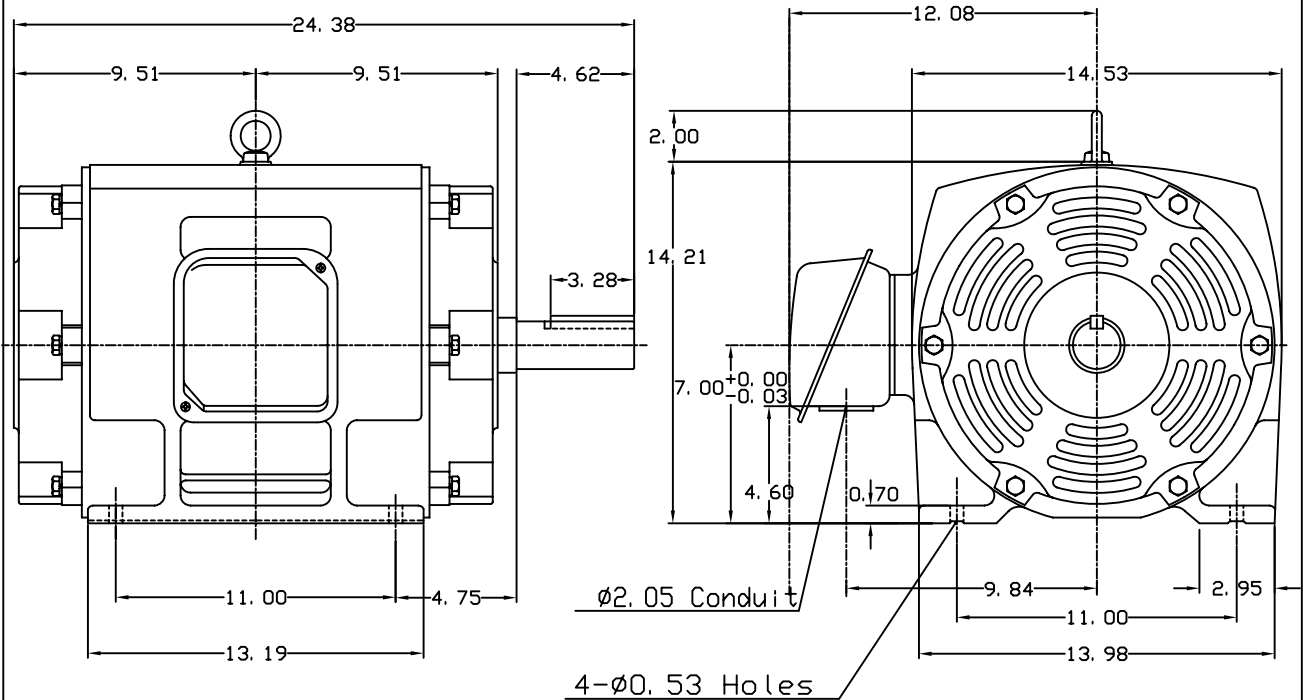
OUTLINE DIMENSIONS
3-PHASE INDUCTION MOTOR

MOTOR TYPE:
ASHH
FRAME NO. 286T

| Pole | HP | KW | Hz | VOLT | Syn. Speed RPM |
|------|----|-------|----|---------|-------------------|
| 4 | 30 | 22.38 | 50 | 190/380 | 1500 |

| Ins | Rating | Dimension in | Approx Weight | Bearings |
|-----|--------|--------------|---------------|------------------------|
| F | CONT. | inch | 397 lbs. | DE: 6311zz NDE: 6310zz |

Open Protected Drip-Proof Type. Squirrel-cage Rotor.



| | | |
|-------|-------------|----------|
| DWN. | J. H. LIANG | 12-22-98 |
| CHKD. | C. H. KAO | 06-10-99 |
| APPD. | Y. B. HUANG | 06-10-99 |

TECO Westinghouse

DWG NO.
31057H388001