

DATE
FEBRUARY 23, 2007
CATALOG NO.
DHP0252

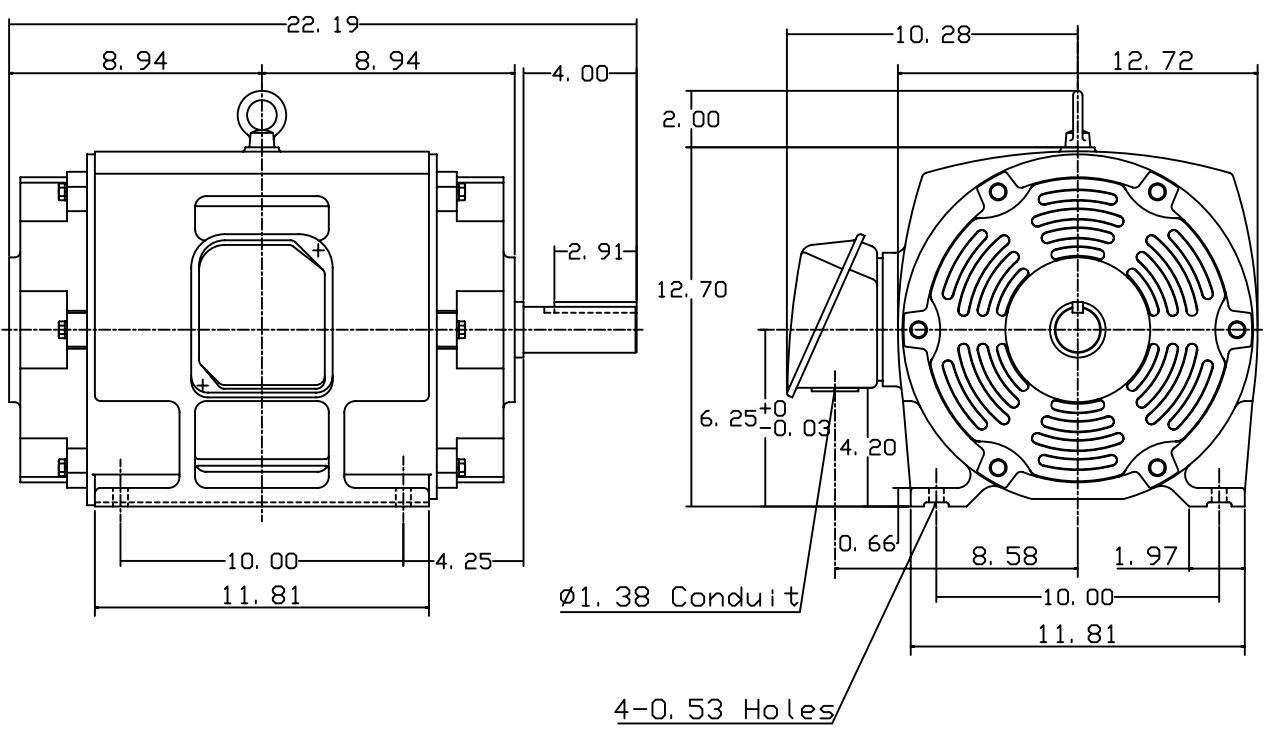
OUTLINE DIMENSIONS
3-PHASE INDUCTION MOTOR

MOTOR TYPE:
ASHH
FRAME NO. 256T

Pole	HP	KW	Hz	VOLT	Syn. Speed RPM
2	25	18.6	60	230/460	3600

Ins	Rating	Dimension in	Approx Weight	Bearings
F	CONT.	inch	287 lbs.	DE: 6310zz NDE: 6309zz

Open Protected Drip-Proof Squirrel-Cage Rotor.



⊠

DWN.	J. H. LIANG	12-22-98
CHKD.	C. H. KAO	06-10-99
APP'D.	Y. B. HUANG	06-10-99



DWG NO.
31057H384002