

DATE
FEBRUARY 23, 2007
CATALOG NO.
DHP0206-50

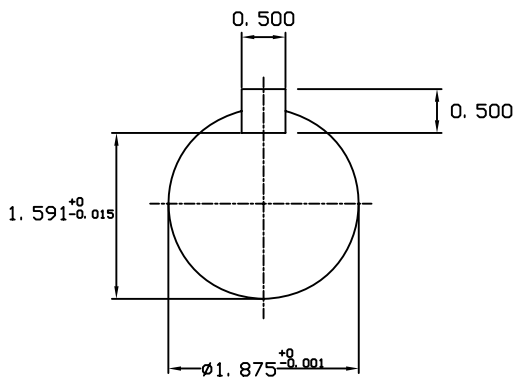
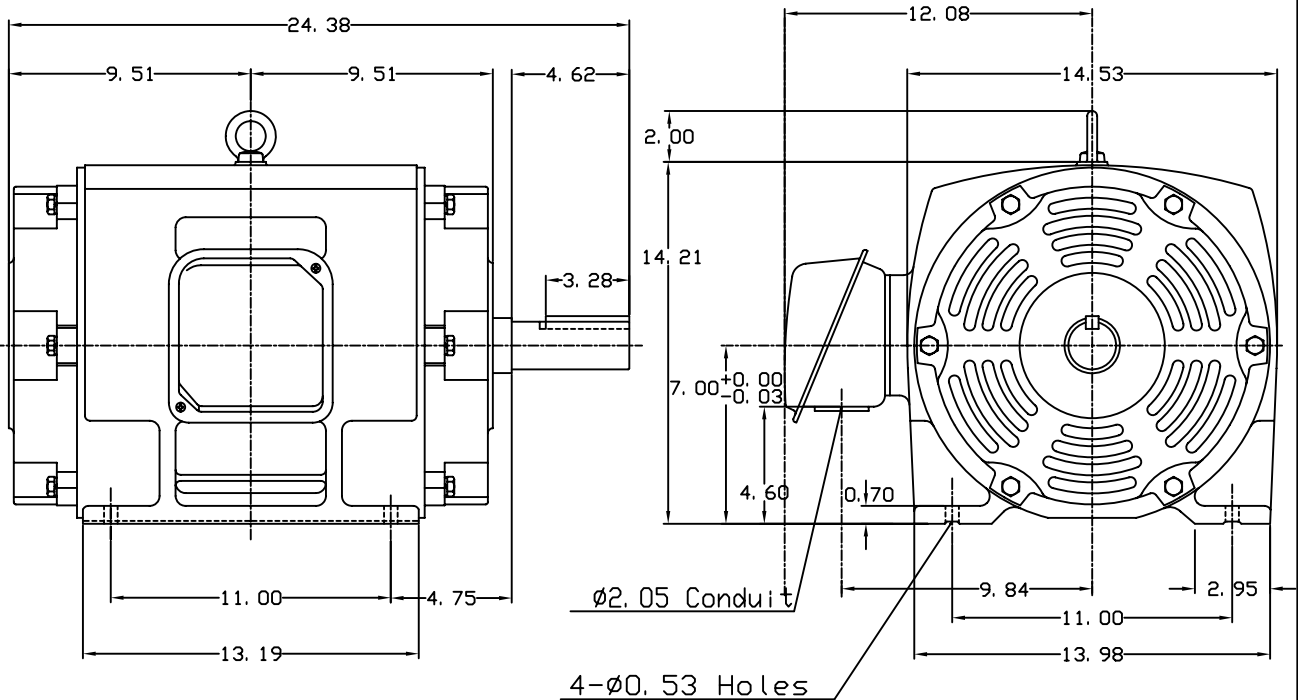
OUTLINE DIMENSIONS
3-PHASE INDUCTION MOTOR

MOTOR TYPE:
ASHH
FRAME NO. 286T

Pole	HP	KW	Hz	VOLT	Syn. Speed RPM
6	20	15	50	190/380	1500

Ins	Rating	Dimension in	Approx Weight	Bearings
F	CONT.	inch	397 lbs.	DE: 6311zz NDE: 6310zz

Open Protected Drip-Proof Type. Squirrel-cage Rotor.



DWN.	J. H. LIANG	12-22-98
CHKD.	C. H. KAO	06-10-99
APPD.	Y. B. HUANG	06-10-99

TECO Westinghouse

DWG NO.
31057H388000