

DATE  
FEBRUARY 23, 2007  
CATALOG NO.  
DHP0204G

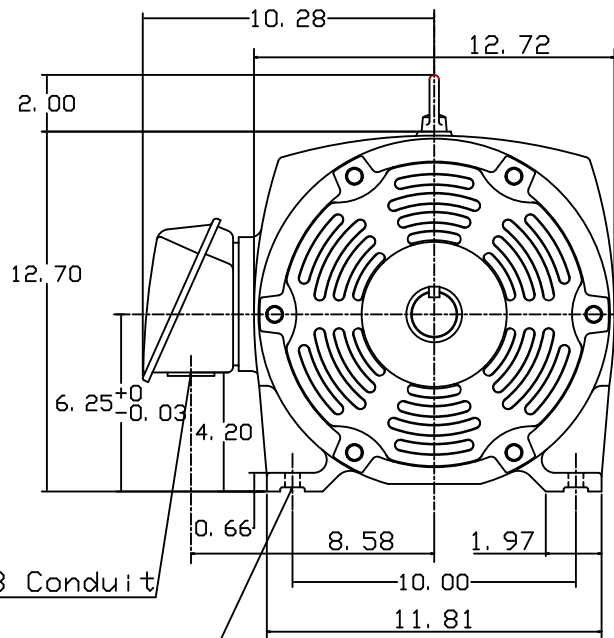
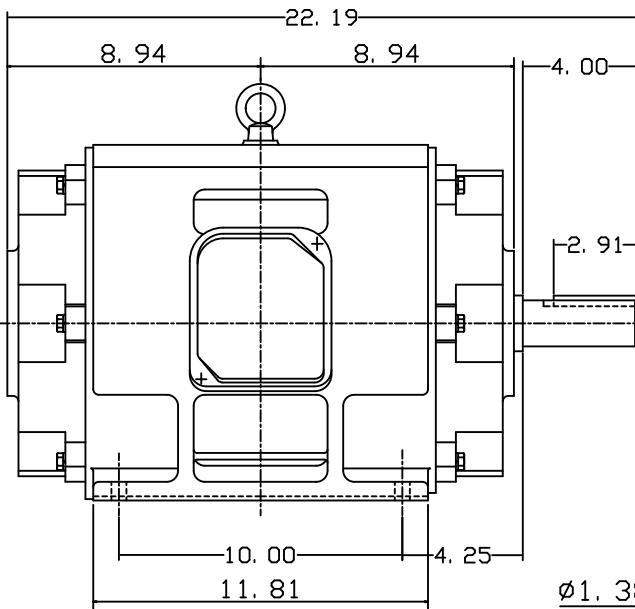
OUTLINE DIMENSIONS  
3-PHASE INDUCTION MOTOR

MOTOR TYPE:  
ASHH  
FRAME NO. 256T

Pole	HP	KW	Hz	VOLT	Syn. Speed RPM
4	20	15	60	230/460	1800

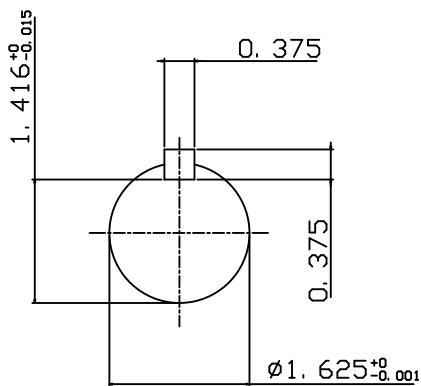
Ins	Rating	Dimension in	Approx Weight	Bearings
F	CONT.	inch	287 lbs.	DE: 6310zz NDE: 6309zz

Open Protected Drip-Proof Squirrel-Cage Rotor.



ø1.38 Conduit

4-0.53 Holes



NOTE:  
1. AEGIS Grounding ring installed on Drive-end.



DWN.	J. H. LIANG	12-22-98
CHKD.	C. H. KAO	06-10-99
APP'D.	Y. B. HUANG	06-10-99

TECO Westinghouse

DWG NO.  
31057H384001