

DATE  
FEBRUARY 23, 2007  
CATALOG NO.  
DHP0102-50

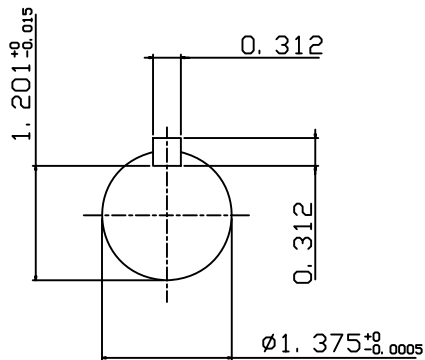
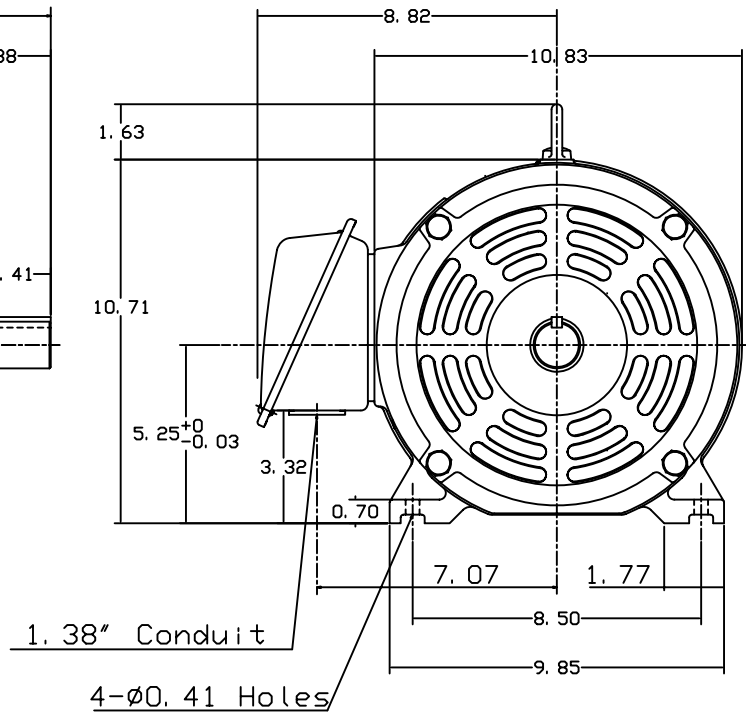
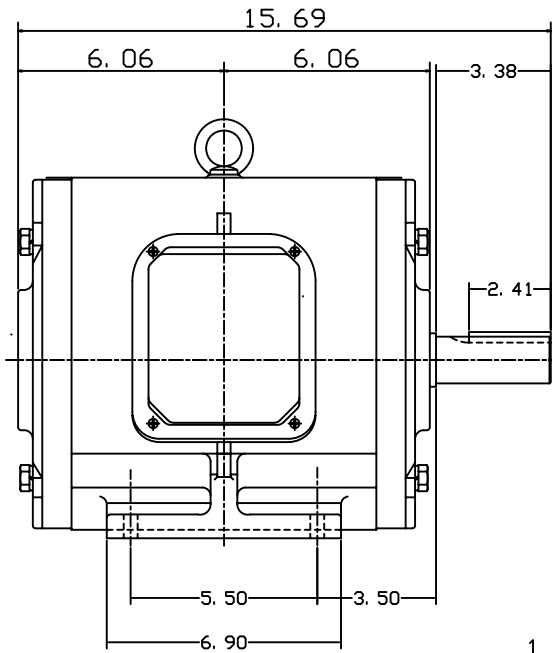
OUTLINE DIMENSIONS  
3-PHASE INDUCTION MOTOR

MOTOR TYPE:  
ASHH  
FRAME NO. 213T

Pole	HP	KW	Hz	VOLT	Syn. Speed RPM
2	10	7.5	50	190/380	3000

Ins	Rating	Dimension in	Approx Weight	Bearings
F	CONT.	inch	159 lbs.	DE: 6308zz NDE: 6306zz

Open Protected Drip-Proof Squirrel Cage Rotor.



DWN. J. H. LIANG 12-22-98  
CHKD. C. S. LO 05-20-99  
APPD. Y. B. HUANG 05-20-99

J:\Sales-Mkt\Tframe\TECH-SUP\Auto Cad Drawings\New\logoblackwhite\_1.tif

DWG NO.  
31057H381002