

DATE
FEBRUARY 23, 2007

CATALOG NO.
DHP0026G

OUTLINE DIMENSIONS

3-PHASE INDUCTION MOTOR

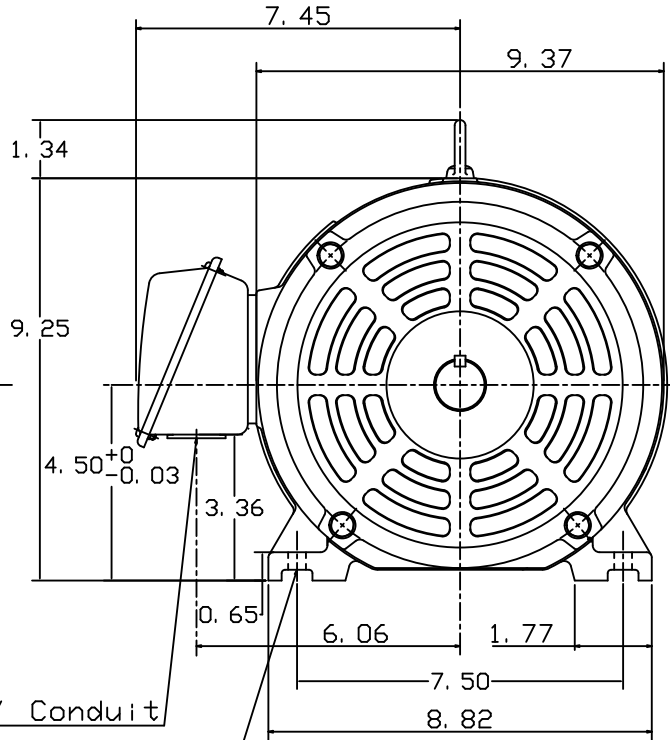
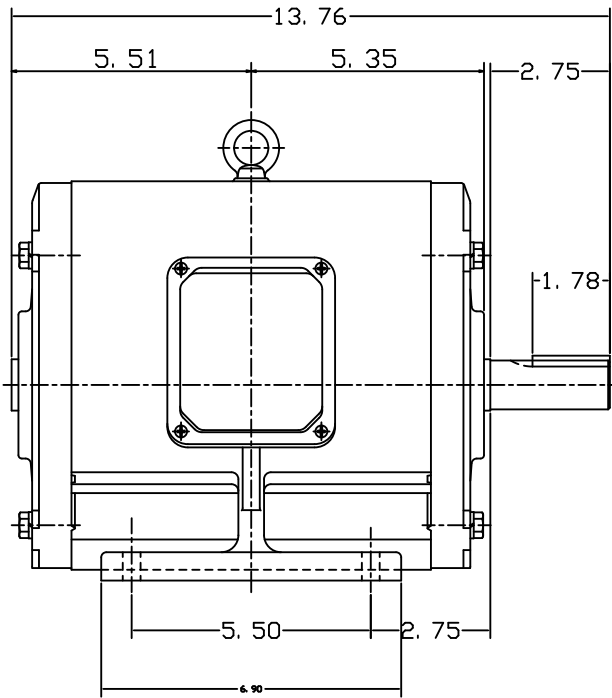
MOTOR TYPE:
ASHH

FRAME NO. 184T

Pole	HP	KW	Hz	VOLT	Syn. Speed RPM
6	2	1.5	60	230/460	1200

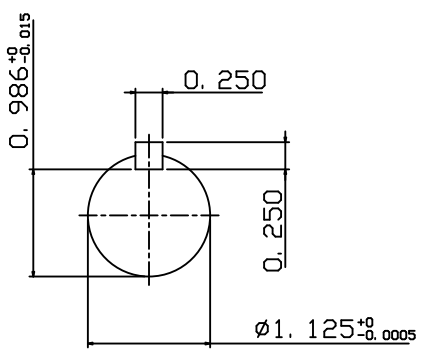
Ins	Rating	Dimension in	Approx Weight	Bearings
F	CONT.	inch	106 lbs.	DE: 6306ZZ NDE: 6306ZZ

Open Protected Drip-Proof, Squirrel-cage Rotor.

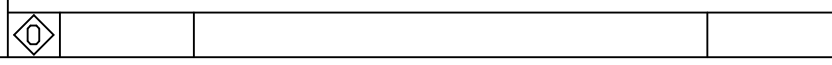


1.1" Conduit

4- ϕ 0.41 Holes



NOTE:
1. AEGIS Grounding ring installed on Drive-end.



DWN.	J. H. LIANG	12-22-98
CHKD.	C. S. LO	05-20-99
APP'D.	Y. B. HUANG	05-20-99



DWG NO.
31057H380000