

DATE
February 20, 2007
CATALOG NO.
DHP0022

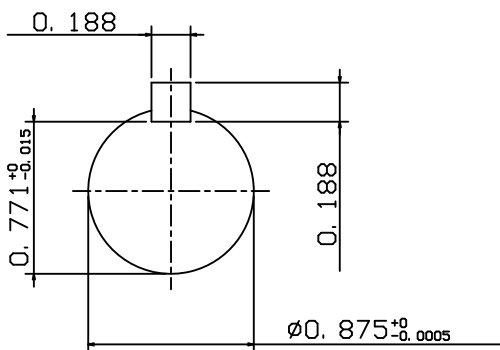
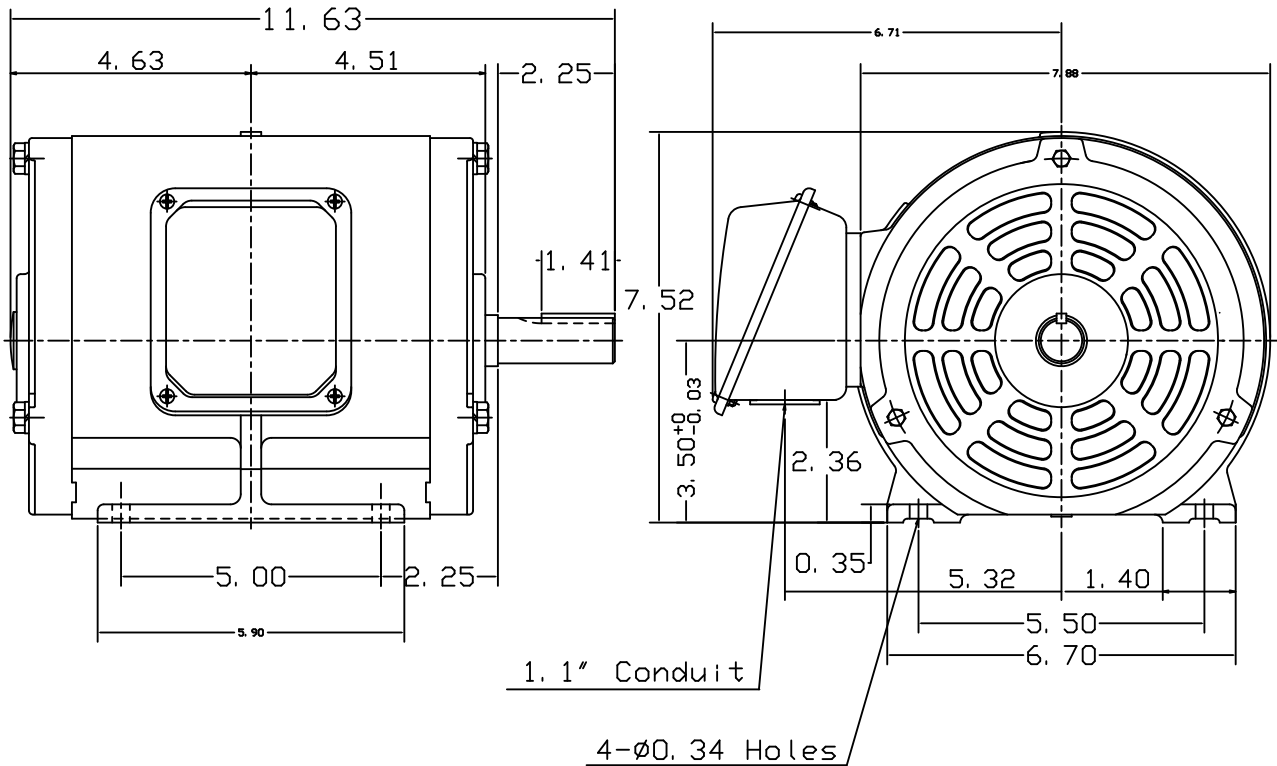
OUTLINE DIMENSIONS
3-PHASE INDUCTION MOTOR

MOTOR TYPE:
ASHH
FRAME NO. 145T

Pole	HP	KW	Hz	VOLT	Syn. Speed RPM
2	2	1.5	60	230/460	3600

Ins	Rating	Dimension in	Approx Weight	Bearings
F	CONT.	inch	66 lbs.	DE: 6205ZZ NDE: 6205ZZ

Open Protected Drip-Proof Squirrel Cage Rotor.



NOTE:
1. AEGIS Grounding ring
installed on Drive-end.

DWN.	J. H. LIANG	12-22-98
CHKD.	C. S. LO	05-20-99
APP'D.	Y. B. HUANG	05-20-99

TECO Westinghouse

DWG NO.
31057H378003