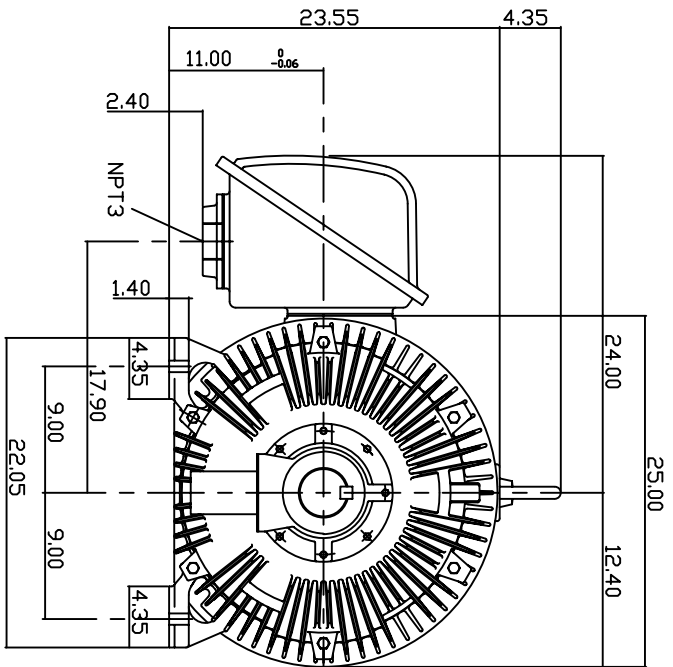
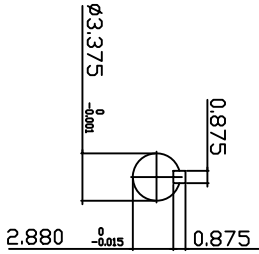
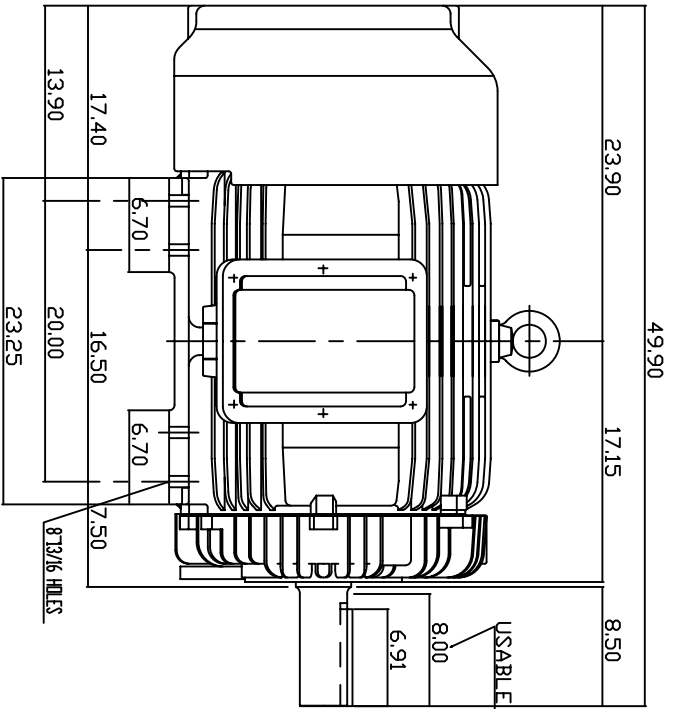


TYPE	OUTPUT HP. / KW.	POLE	TIME RATING	VOLTAGE V	Hz	SYNSPEED R.P.M.
AECA	150 / 37.5	4/8	CDNT.	460	60	1800/900

TOTALLY ENCLOSED FAN-COOLED TYPE, SQUIRREL-CAGE ROTOR
2 SPEED, 1 WINDING VARIABLE TORQUE



NOTE:

1. DIMENSIONS IN INCH
2. FRAME NO. 447T
3. F CLASS INSULATION, S.F.115
4. FOR DIRECT FLEXIBLE COUPLING
5. ENCLOSURE: IP55
6. BEARING SIZE: DRIVE END: 6320
NON-DRIVE END: 6316
7. APPROX. WEIGHT: 2100 LBS

TW-56C

DWN.	NO.	DATE
CHKD.	H.HUANG	JAN 13 2005
APPD.	C.WANG	JAN 13 2005

Nov. 15, 2006
CAT. # CP1504/8
3-PHASE INDUCTION MOTOR

TECO Westinghouse
D/WG NO. 3A040Y597-1
REV. 00