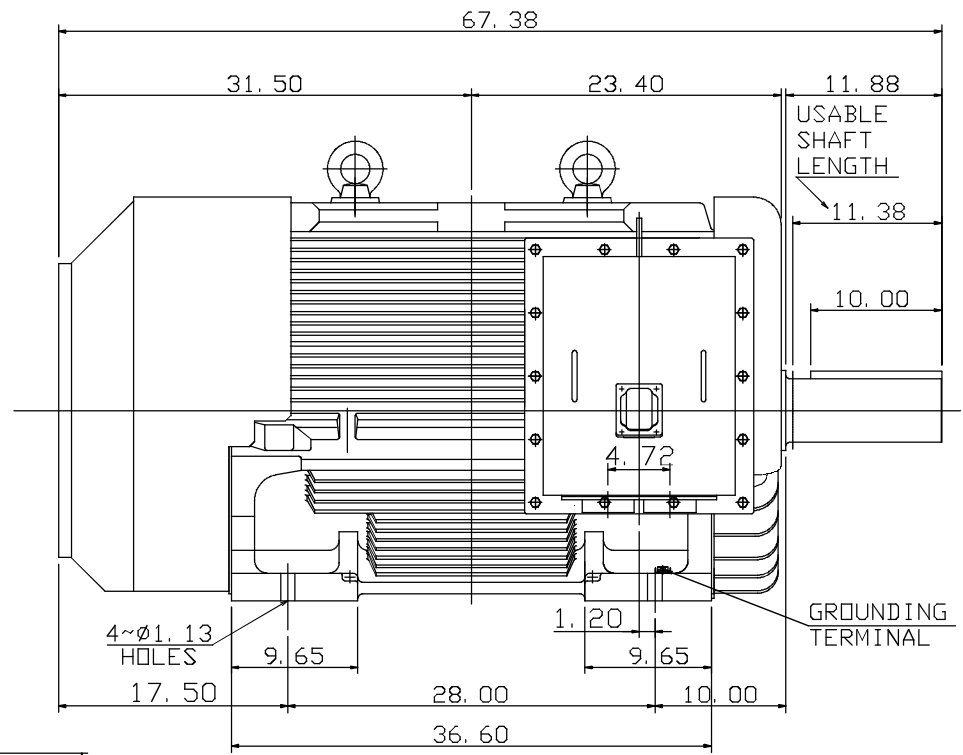
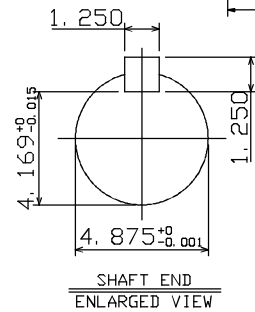
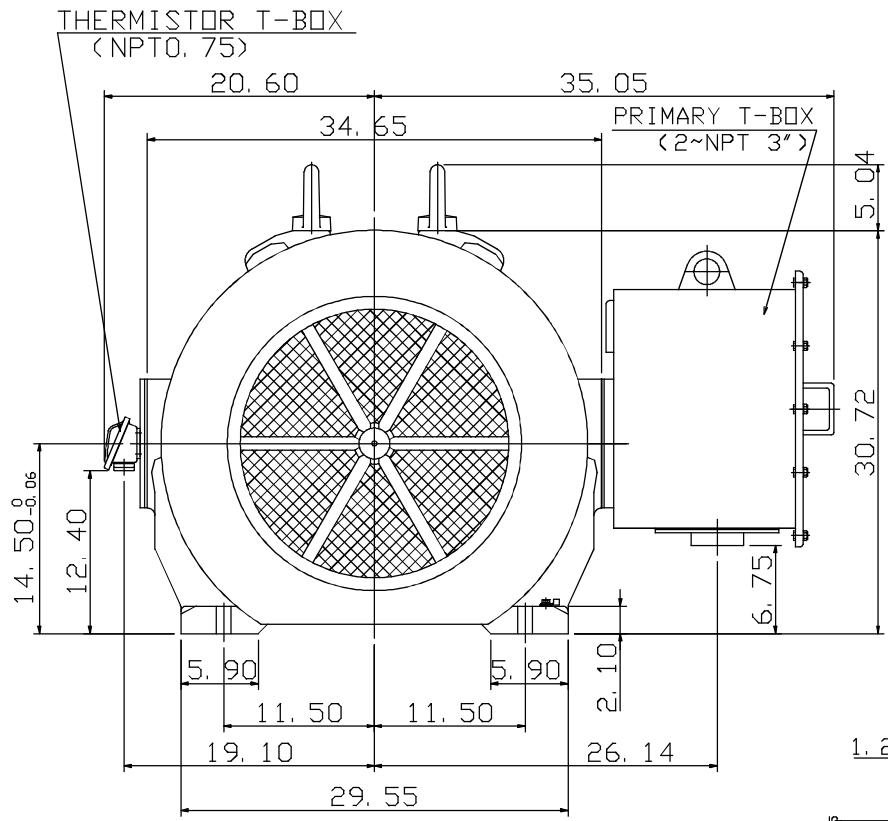


Downloaded from Dealers Industrial Equipment -- Visit <https://DealersElectric.com> or call (908) 688-1966 for all of your Teco needs!

TYPE	OUTPUT		POLE	TIME RATING	VOLTAGE V	Hz	SYN. SPEED R. P. M
	HP.	KW.					
AEEAGD	350	261	8	CONT.	460	60	900

TOTALLY ENCLOSED FAN-COOLED TYPE. SQUIRREL-CAGE ROTOR



- NOTE:
- DIMENSIONS IN INCHES
 - FRAME NO. 5808C
 - F CLASS INSULATION, S. F. 1.0 (50Hz)
F CLASS INSULATION, S. F. 1.15 (60Hz)
 - FOR BELT SERVICE
 - BEARING SIZE: DRIVE END: NU326C3
NON-DRIVE END: 6322C3
 - ENCLOSURE: IP55
 - WITH THERMISTOR: PTC 140°C 3PCS
 - SHAFT MATERIAL: SCM440 Q&T (AISI 4140 EQUIV)
 - MOTOR APPROX. WEIGHT: 5250 LBS

4A040Y700

DWN.	C. RAM	DEC 02 2015
DWN.	H. CHANG	MAR 03 2015
CHKD.	H. HUANG	MAR 03 2015
APPD.	C. LIU	MAR 03 2015

CATALOG NO.
CD3508R



OUTLINE DIMENSIONS
3-PHASE INDUCTION MOTOR

DWG NO. REV: 00
4A040Y697

6 5 4 3 2 1

6 5 4 3 2 1