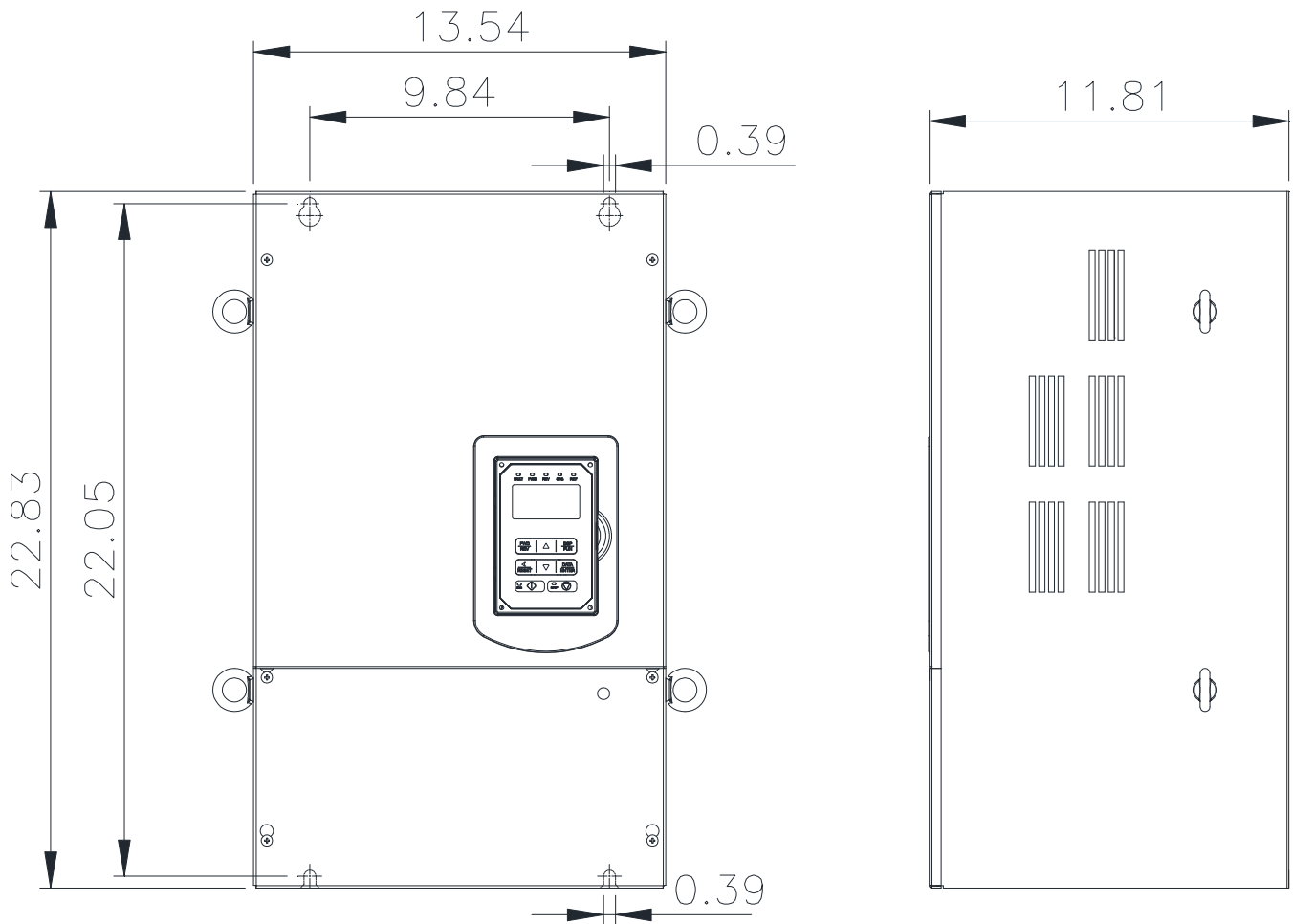


GENERAL DATASHEET VARIABLE SPEED DRIVE

SERIES F510		MODEL# F510-4100-C3-U		
ISSUED 9/1/2016		ENCLOSURE/ FRAME Open Chassis (IP00) / F6		
INPUT AMPS ND (VT) 159		AC INPUT VOLTAGE 380-480	AC INPUT FREQUENCY 50/60	AC INPUT PHASE 3
OUTPUT HP ND (VT) 100	OUTPUT AMPS ND (VT) 145	AC OUTPUT VOLTAGE 0-480	AC OUTPUT FREQUENCY 0-400	AC OUTPUT PHASE 3



Approved By:	Brian Smith	Drawing No:	F510-460-100-F6	Revision: 0
--------------	-------------	-------------	-----------------	-------------