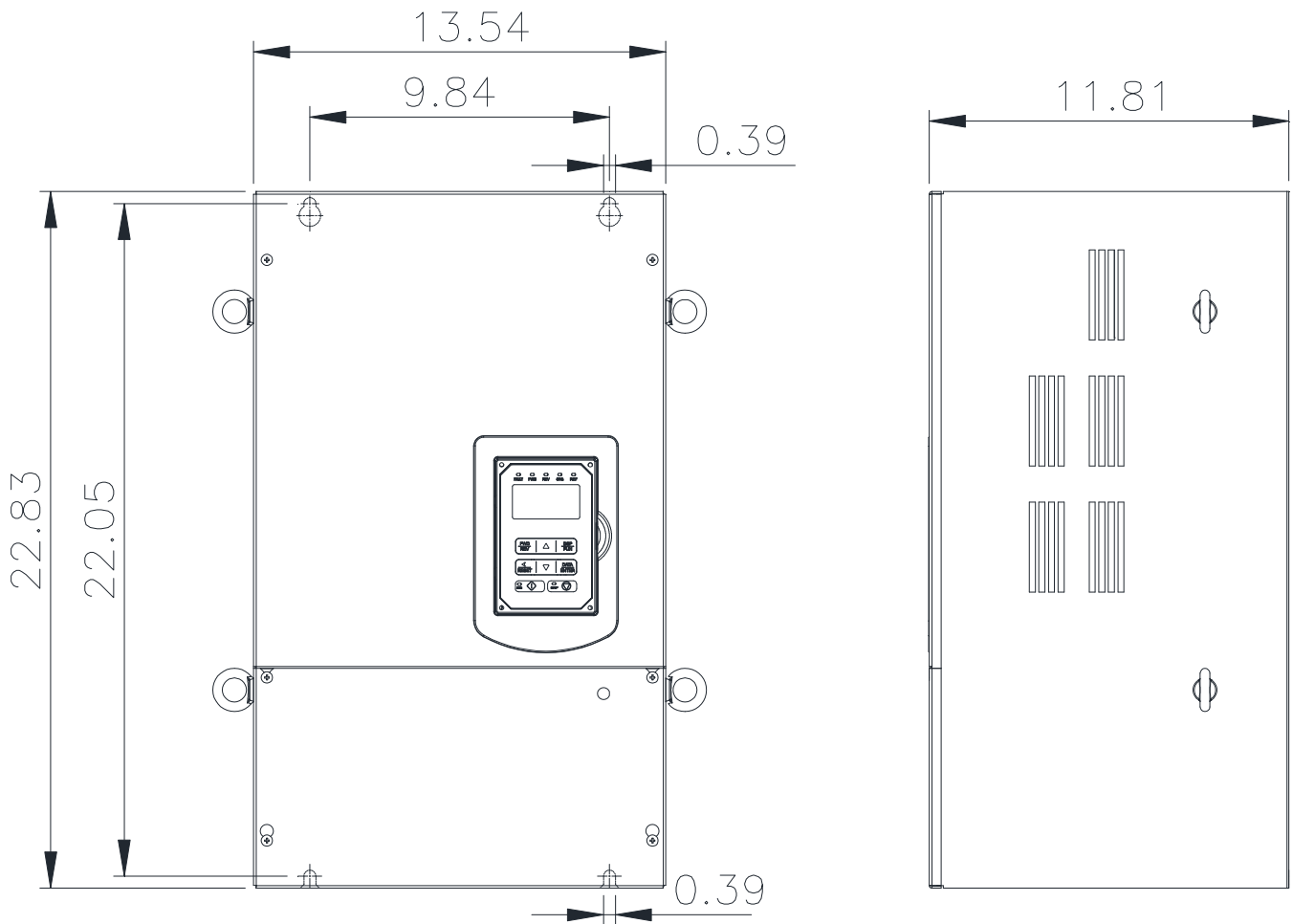


GENERAL DATASHEET VARIABLE SPEED DRIVE

SERIES		MODEL#		
F510		F510-2075-C3-U		
ISSUED		ENCLOSURE/ FRAME		
8/26/2016		Open Chassis (IP00) / F6		
INPUT AMPS		AC INPUT VOLTAGE	AC INPUT FREQUENCY	AC INPUT PHASE
ND (VT)				
232		200-240	50/60	3
OUTPUT HP	OUTPUT AMPS	AC OUTPUT VOLTAGE	AC OUTPUT FREQUENCY	AC OUTPUT PHASE
ND (VT)	ND (VT)			
75	200	0-240	0-400	3



Approved By:	Brian Smith	Drawing No:	F510-230-075-F6	Revision: 0
--------------	-------------	-------------	-----------------	-------------