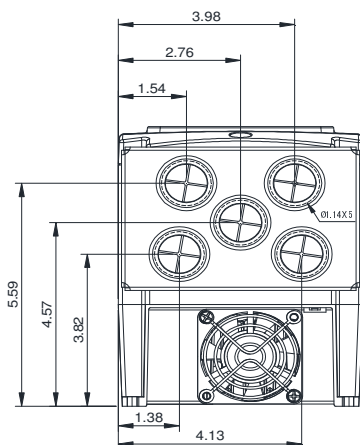
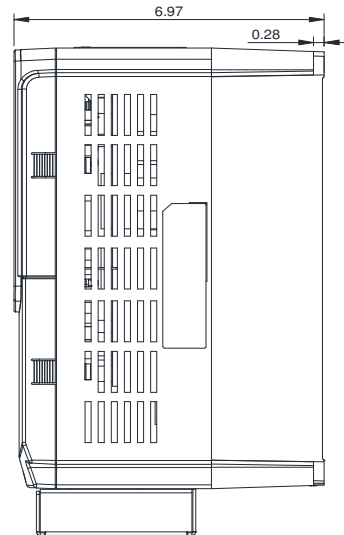
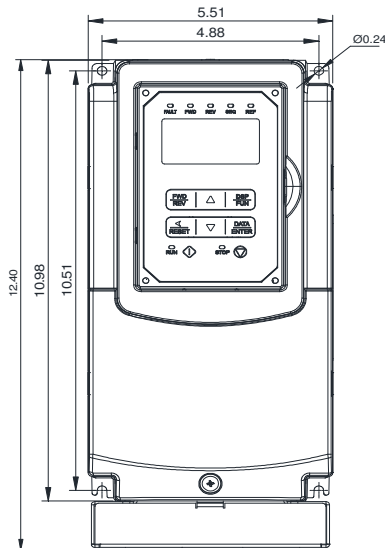


GENERAL DATASHEET VARIABLE SPEED DRIVE

SERIES F510		MODEL# F510-2005-C3-U		
ISSUED 8/26/2016		ENCLOSURE/ FRAME NEMA 1 (IP20) / F2		
INPUT AMPS ND (VT) 16		AC INPUT VOLTAGE 200-240	AC INPUT FREQUENCY 50/60	AC INPUT PHASE 3
OUTPUT HP ND (VT) 5	OUTPUT AMPS ND (VT) 14.5	AC OUTPUT VOLTAGE 0-240	AC OUTPUT FREQUENCY 0-400	AC OUTPUT PHASE 3



Approved By:	Brian Smith	Drawing No:	F510-230-005-F2	Revision: 0
--------------	-------------	-------------	-----------------	-------------