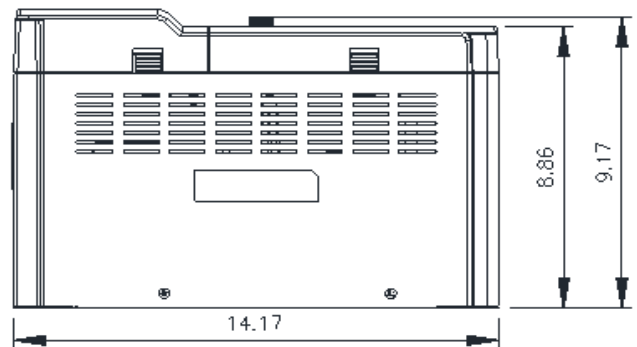
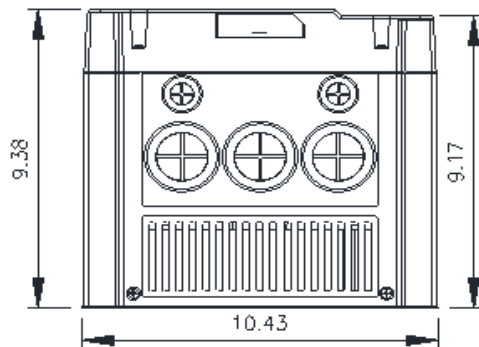
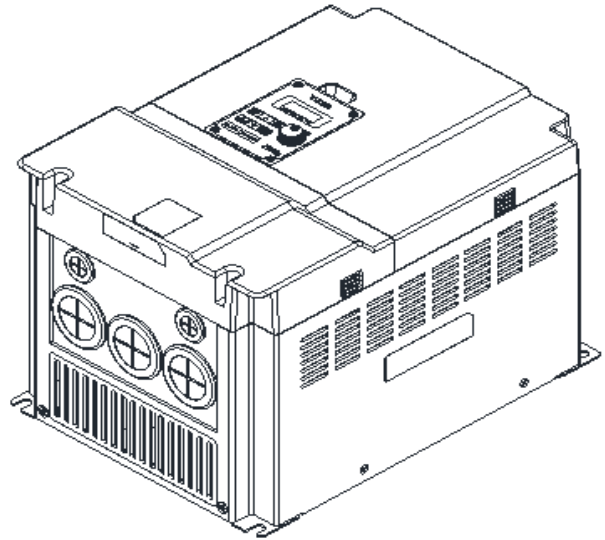
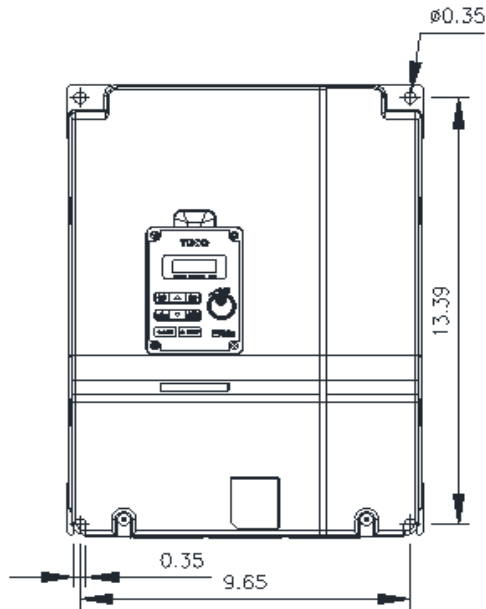


GENERAL DATASHEET VARIABLE SPEED DRIVE

Series E510				MODEL# E510-225-H3-U	
ISSUED 8/24/2017				ENCLOSURE/ FRAME NEMA 1 (IP20) / F5	
INPUT AMPS		AC INPUT VOLTAGE 200-240	AC INPUT FREQUENCY 50/60	AC INPUT PHASE 3	
HD (CT) 79.4	ND (VT) 85.9				
OUTPUT HP		AC OUTPUT VOLTAGE 0-240	AC OUTPUT FREQUENCY 0-599	AC OUTPUT PHASE 3	
HD (CT) 25	ND (VT) 30				



Approved By:	Brian Smith	Drawing No:	E510-230-225-F5	Revision: 0
--------------	-------------	-------------	-----------------	-------------