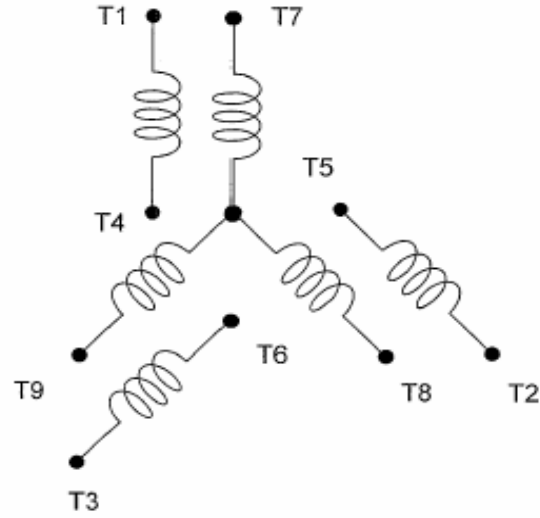


DATE:  
May 14, 2011

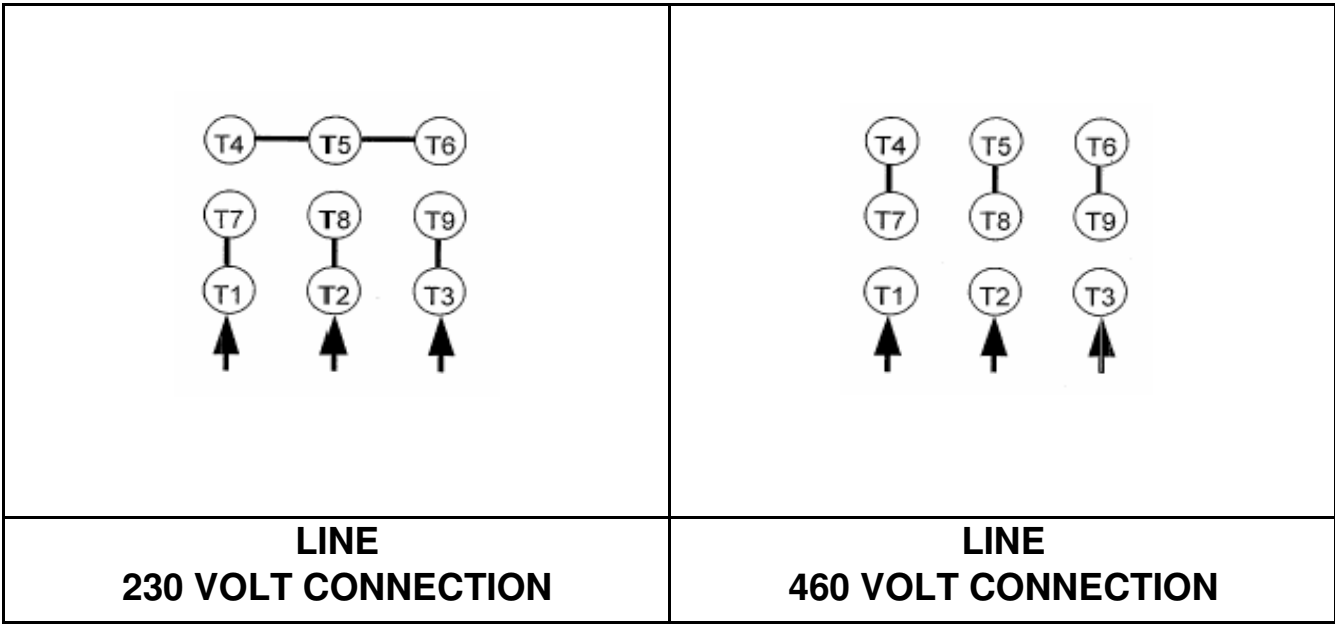
# CONNECTION DIAGRAM

CATALOG NO.:  
XP0018



**SCHEMATIC - 2Y/Y CONNECTION**

## ACROSS THE LINE CONNECTION



**LINE  
230 VOLT CONNECTION**

**LINE  
460 VOLT CONNECTION**



DWG NO.  
**DAC-1566-2**