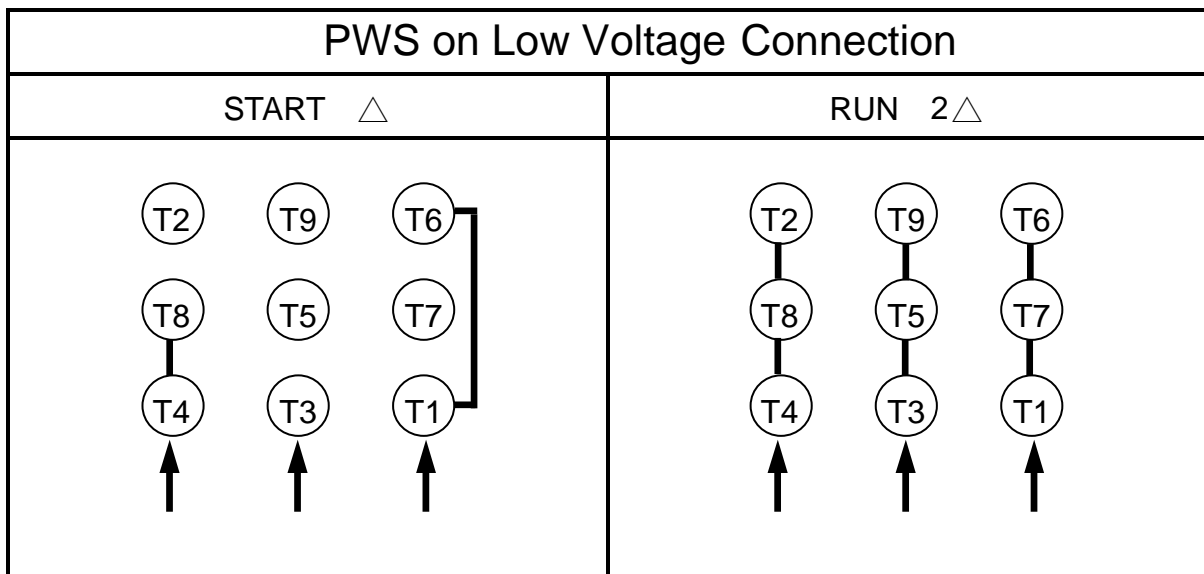
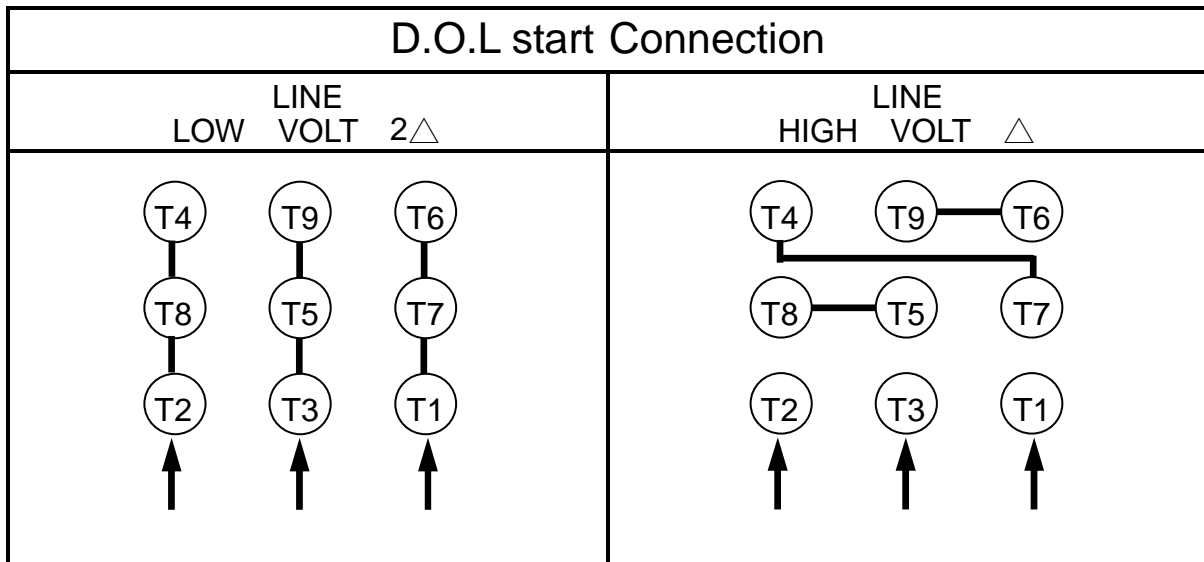


SCHEMATIC – 2Δ/Δ CONNECTION



APPD.	M.C.Tsai	May,05,'09	TECO Electric & Machinery Co., Ltd.	DWG NO :
CHKD.	C.L.Huang	May,05,'09		DAC-1703
DWN.	J.C.Lan	May,04,'09		