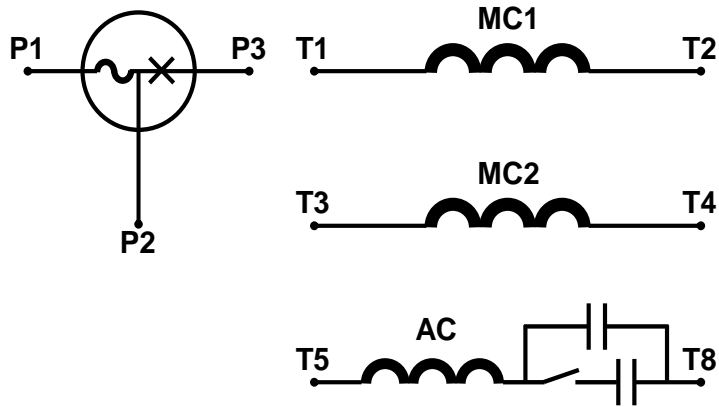
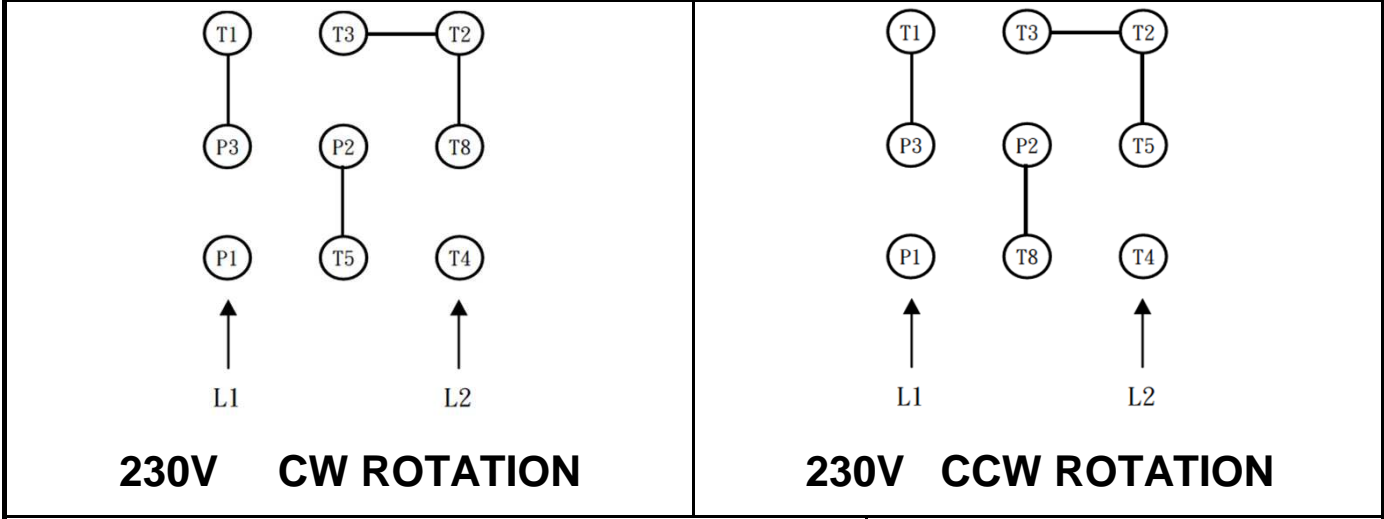
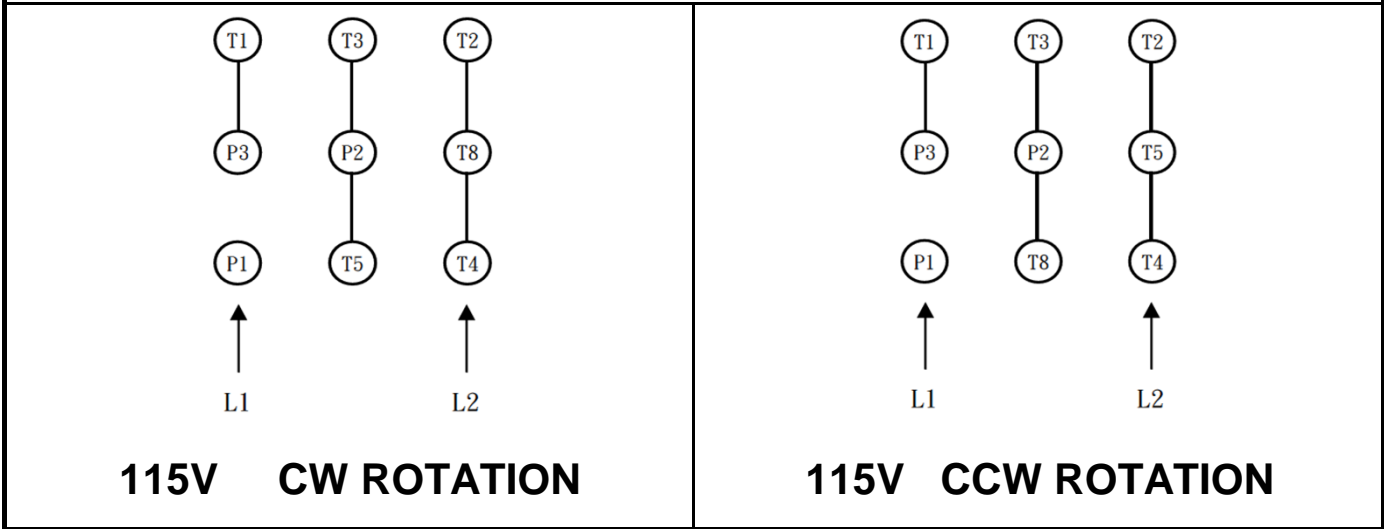


	CONNECTION DIAGRAM	MODEL: BEGCFD/BECCFD
DATE: Aug, 12, 2009	for Two-value Capacitor Type	S0024



STARTER CONNECTION



	DWG NO. DAC-1712-115/230
--	------------------------------------