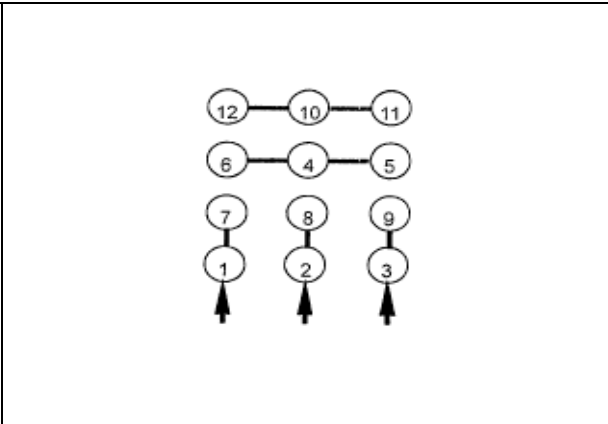
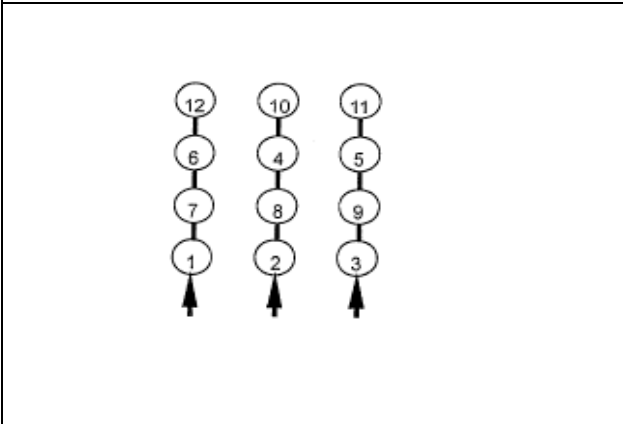


DATE:  
June 16, 2005

**CONNECTION DIAGRAM**

CATALOG NO.:  
QT0106

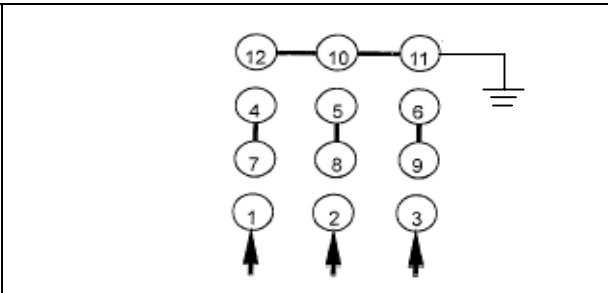
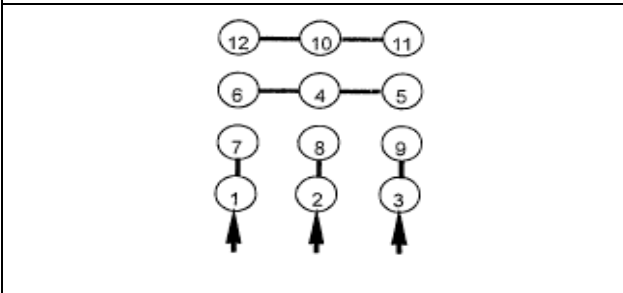
**ACROSS THE LINE CONNECTION**



**LINE 230 VOLT CONNECTION**

**LINE 460 VOLT CONNECTION**

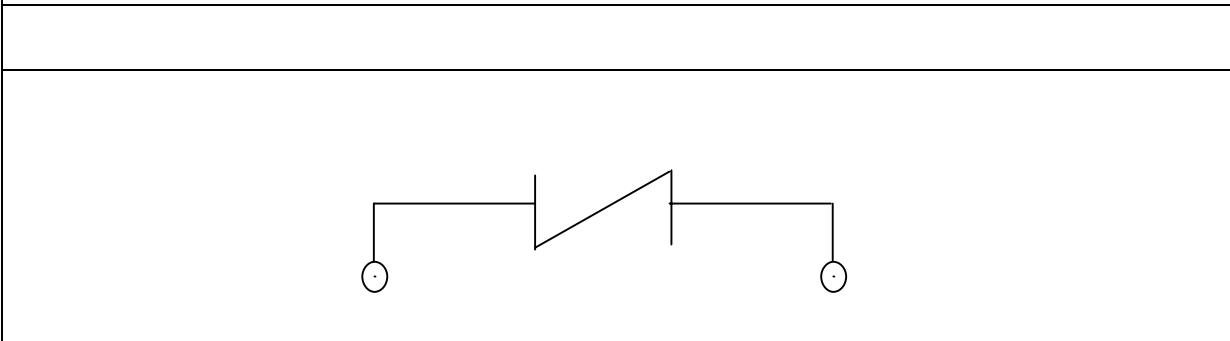
**ACROSS THE LINE CONNECTION**



**LINE 398 VOLT CONNECTION**

**LINE 460 VOLT CONNECTION**

**WHEN WYE CONNECTION, FOR USED ON 796 VOLTS, MUST BE SOLIDLY GROUNDED SYSTEM NEUTRAL**



**THERMAL PROTECTOR TYPE 9700K76-215**



DWG NO.  
**DAC-1565-4**