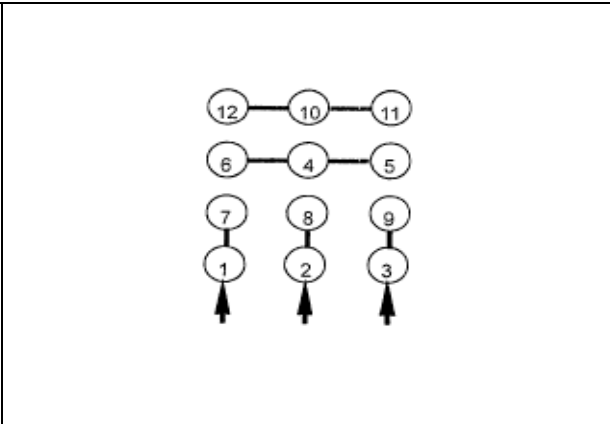
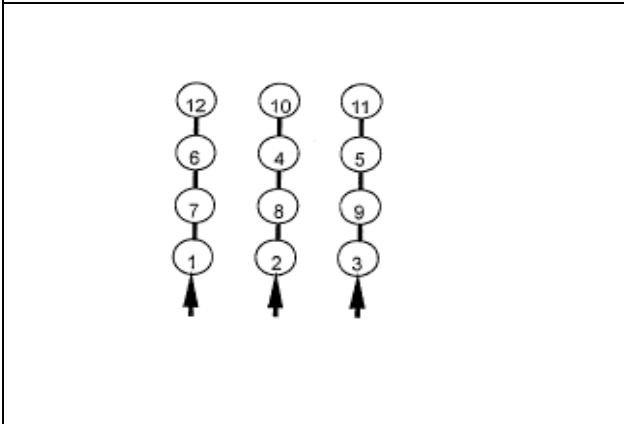


DATE:  
June 1, 2005

# CONNECTION DIAGRAM

CATALOG NO.:  
Q0756

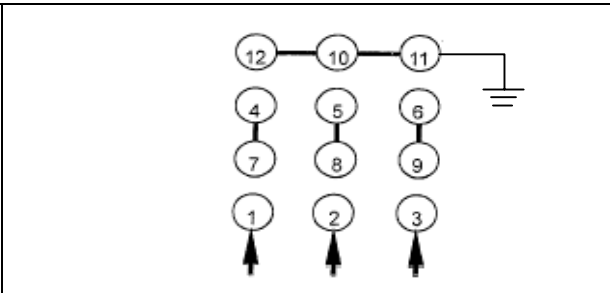
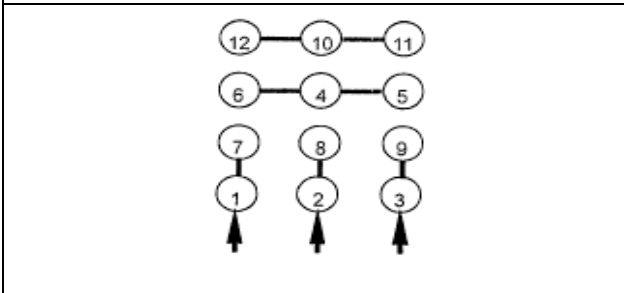
## ACROSS THE LINE CONNECTION



LINE □ 230 VOLT CONNECTION

LINE □ 460 VOLT CONNECTION

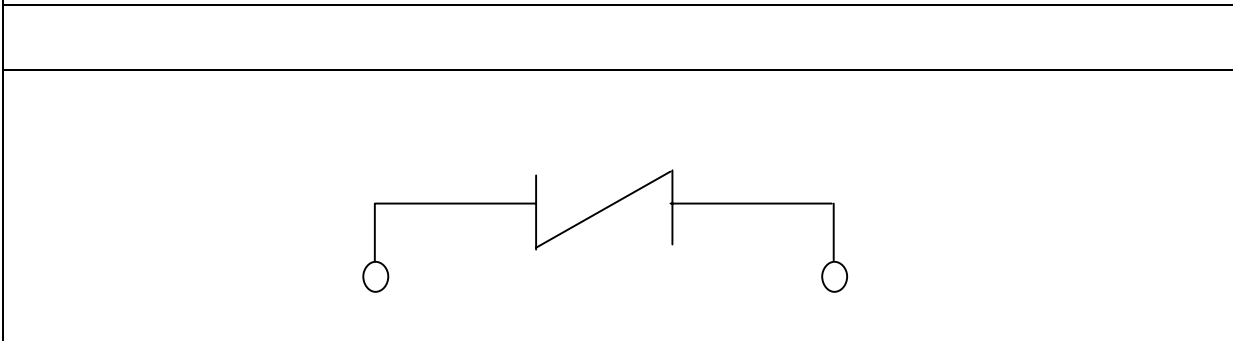
## ACROSS THE LINE CONNECTION



LINE  
398 VOLT CONNECTION

LINE  
460 VOLT CONNECTION

WHEN WYE CONNECTION, FOR USED ON 796 VOLTS, MUST BE SOLIDLY GROUNDED SYSTEM NEUTRAL



THERMAL PROTECTOR TYPE 9700K76-215



DWG NO.  
DAC-1565-4