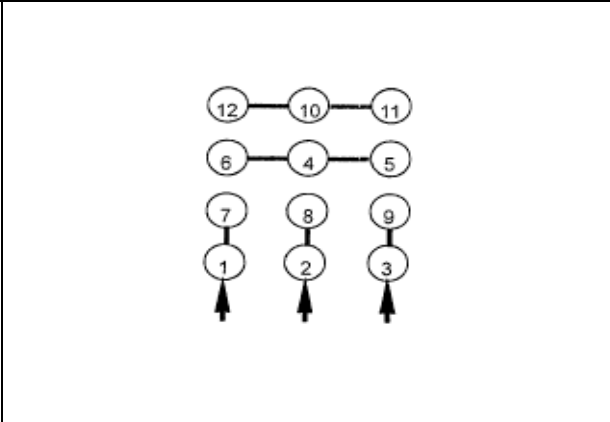
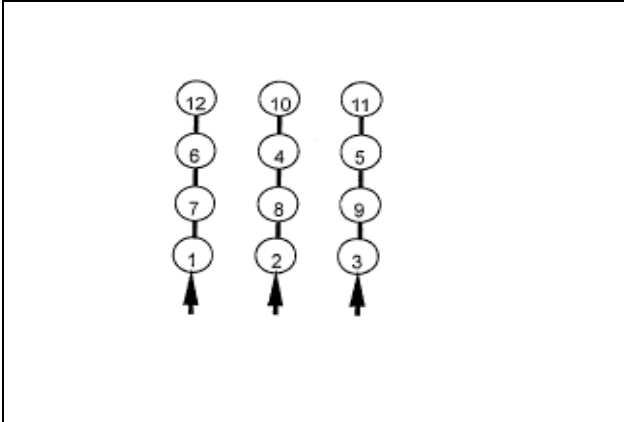


DATE:
June 1, 2005

CONNECTION DIAGRAM

CATALOG NO.:
Q0606

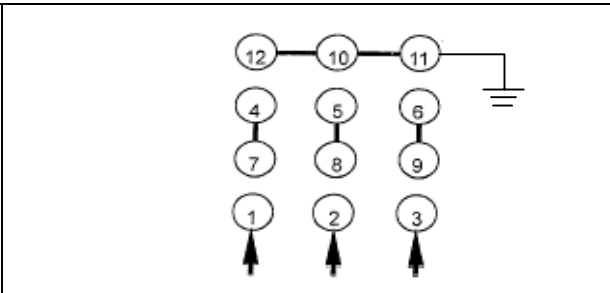
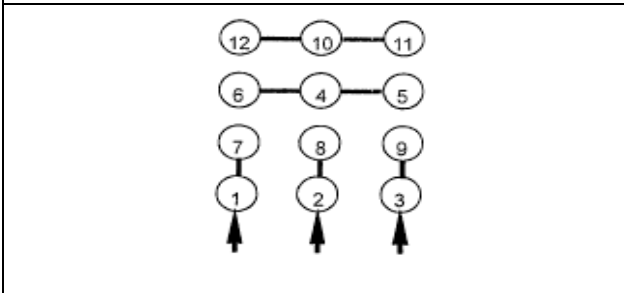
ACROSS THE LINE CONNECTION



LINE □ 230 VOLT CONNECTION

LINE □ 460 VOLT CONNECTION

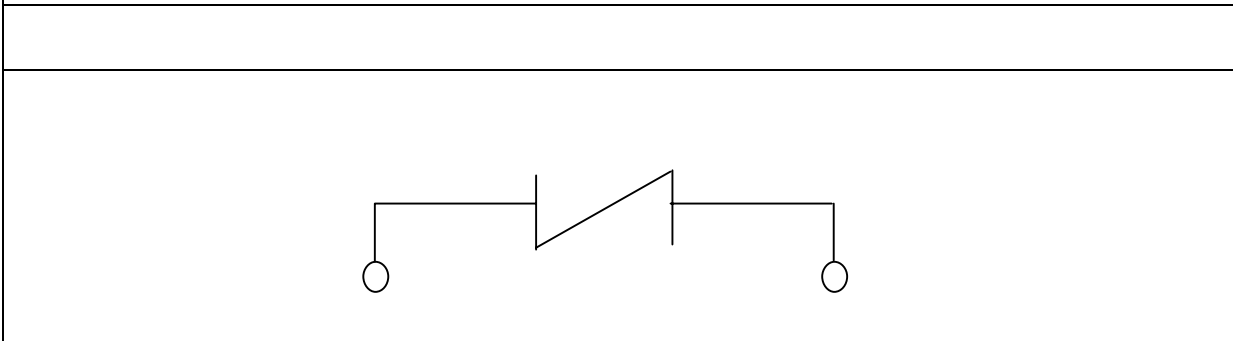
ACROSS THE LINE CONNECTION



LINE
398 VOLT CONNECTION

LINE
460 VOLT CONNECTION

WHEN WYE CONNECTION, FOR USED ON 796 VOLTS, MUST BE SOLIDLY GROUND SYSTEM NEUTRAL



THERMAL PROTECTOR TYPE 9700K76-215



DWG NO.
DAC-1565-4