

DATE:
September 21, 2005

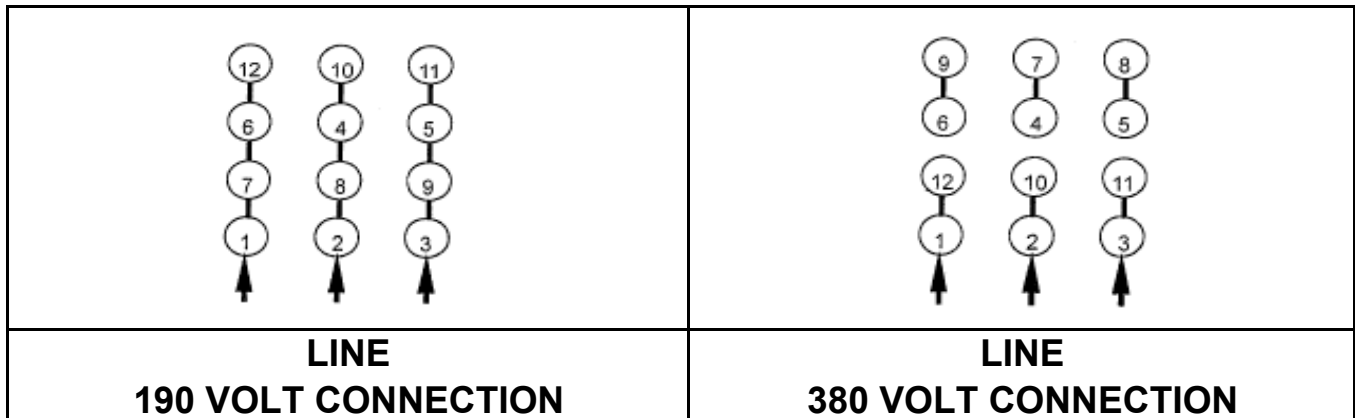
CONNECTION DIAGRAM

CATALOG NO.:
NV1004C-50

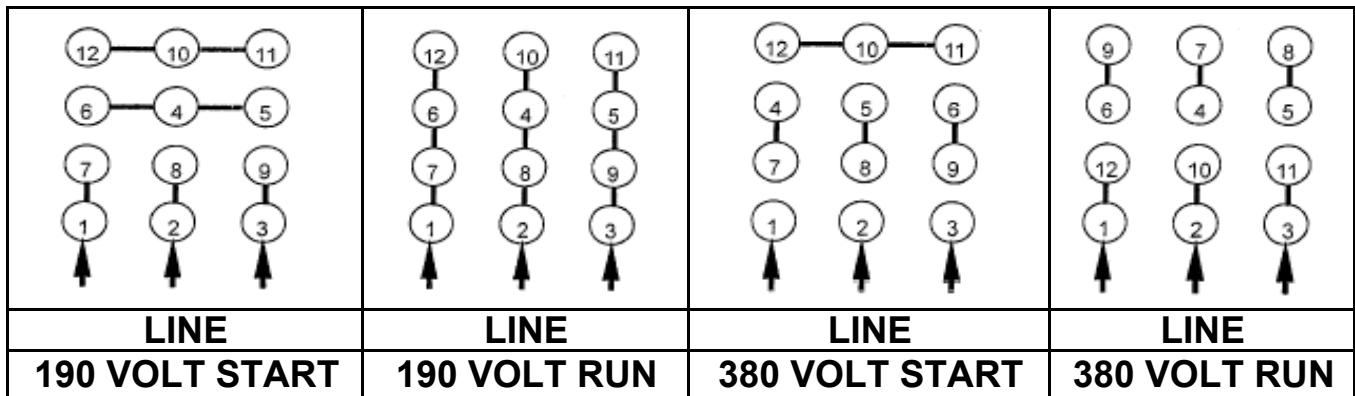


SCHEMATIC - Δ / Y CONNECTION

ACROSS THE LINE CONNECTION



WYE START-DELTA RUN CONNECTION



DWG NO.
DAC-1565-4