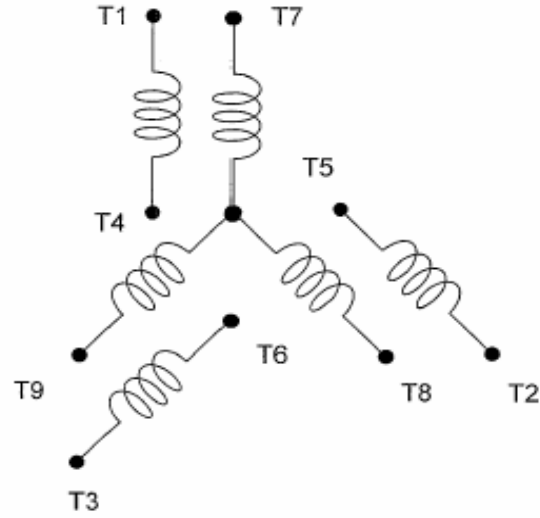


DATE:  
May 3, 2011

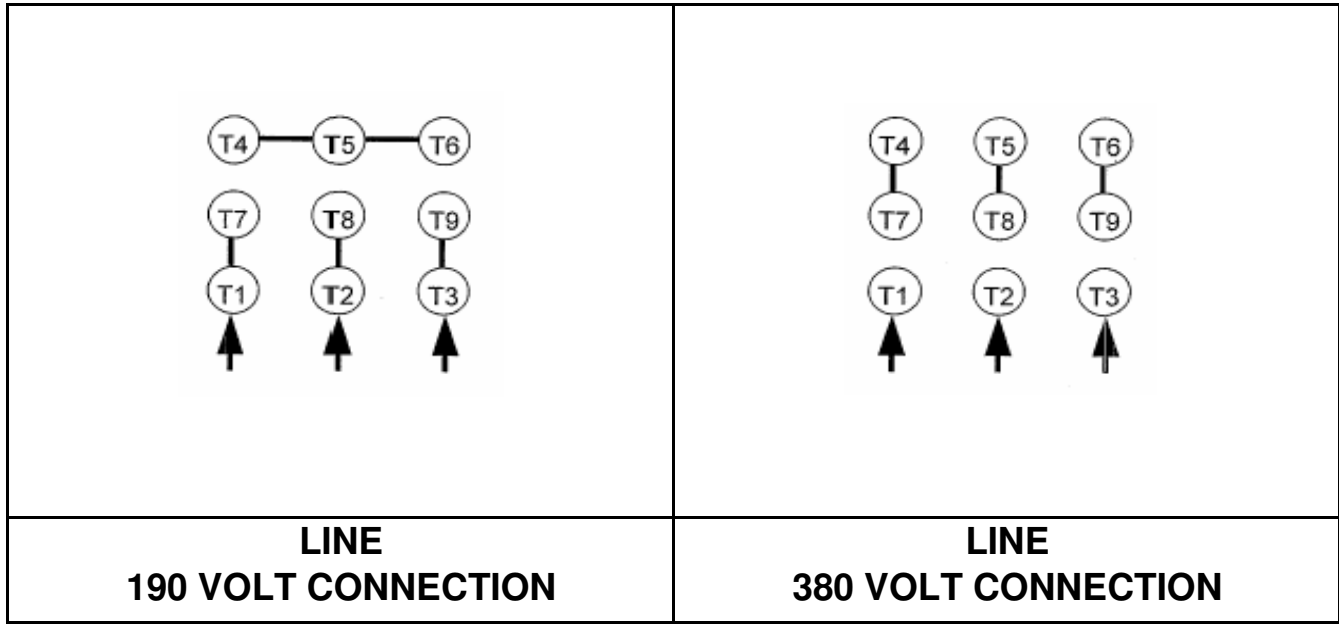
# CONNECTION DIAGRAM

CATALOG NO.:  
NP0034C



**SCHEMATIC - 2Y/Y CONNECTION**

## ACROSS THE LINE CONNECTION



**LINE  
190 VOLT CONNECTION**

**LINE  
380 VOLT CONNECTION**



DWG NO.  
**DAC-1566-2**