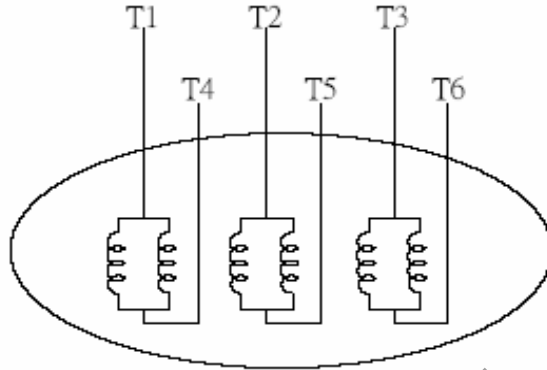


DATE:	CONNECTION DIAGRAM	CATALOG NO.:
May 1, 2014		KG2002



SCHEMATIC DIAGRAM - 6 LEADS

VOLTAGE	CONNECTION	ROTATION (VIEWED FROM DRIVE END)
2300		
4160		

TECO **Westinghouse**

DWG. NO.
3A061H475