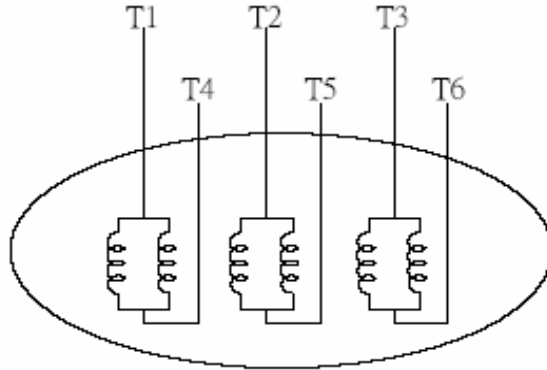


DATE:	<b>CONNECTION DIAGRAM</b>	CATALOG NO.:
May 1, 2014		<b>KG1502</b>



**SCHEMATIC DIAGRAM - 6 LEADS**

VOLTAGE	CONNECTION	ROTATION (VIEWED FROM DRIVE END)
<b>2300</b>		
<b>4160</b>		

**TECO** **Westinghouse**

DWG. NO.  
**3A061H475**