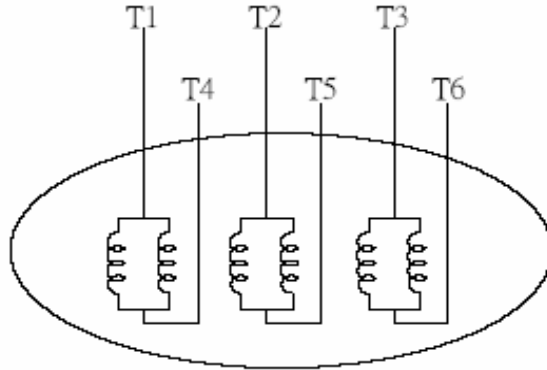


DATE:	<b>CONNECTION DIAGRAM</b>	CATALOG NO.:
May 1, 2014		<b>KG1254</b>



**SCHEMATIC DIAGRAM - 6 LEADS**

VOLTAGE	CONNECTION	ROTATION (VIEWED FROM DRIVE END)
<b>2300</b>	<p>Diagram for 2300V: Three supply lines L1, L2, and L3 are connected to terminals T1, T4, and T3 respectively. Terminals T2, T5, and T6 are connected to each other in a star configuration.</p>	
<b>4160</b>	<p>Diagram for 4160V: Three supply lines L1, L2, and L3 are connected to terminals T1, T4, and T3 respectively. Terminals T2, T5, and T6 are connected to each other in a delta configuration.</p>	

**TECO** **Westinghouse**

DWG. NO.  
**3A061H475**