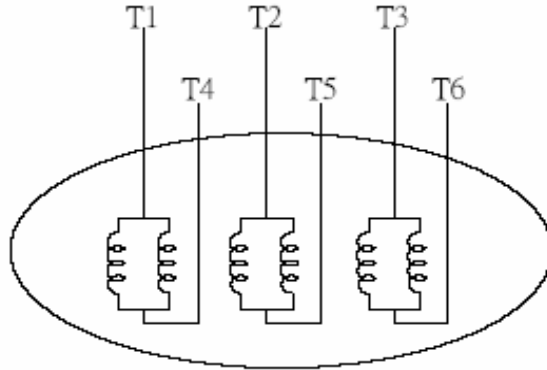


DATE:	CONNECTION DIAGRAM	CATALOG NO.:
May 1, 2014		KG1252



SCHEMATIC DIAGRAM - 6 LEADS

VOLTAGE	CONNECTION	ROTATION (VIEWED FROM DRIVE END)
2300	<p>Wiring diagram for 2300V. Three supply lines L1, L2, and L3 are shown at the top. The motor windings are connected in a star configuration. Lead T1 is connected to L1, T2 to L2, and T3 to L3. Leads T4, T5, and T6 are connected to the common star point.</p>	
4160	<p>Wiring diagram for 4160V. Three supply lines L1, L2, and L3 are shown at the top. The motor windings are connected in a delta configuration. Lead T1 is connected to L1, T2 to L2, and T3 to L3. Leads T4, T5, and T6 are connected to the common delta point.</p>	

TECO **Westinghouse**

DWG. NO.
3A061H475